



Scienco® Products

Product Reference Manual



Experience In Motion

Table of Contents

AP-30 Air Piston Pump	Section 1
Bulletin	1.2
Parts	1.4
Accessories	1.6
Kits	1.8
DD6 Self-Priming Diaphragm Pump	Section 2
Bulletin	2.2
Pump Parts	2.4
Pump Accessories	2.6
Pump Kits	2.7
Motor Parts	2.12
Motor Accessories	2.16
Motor Kits	2.18
PH6 Panther Pump	Section 3
Bulletin	3.2
Parts	3.4
Accessories	3.6
Kits	3.8
SEM-10 and SEM-10FT	Section 4
Bulletin	4.2
SEM-10 Parts	4.4
SEM-10 Kits	4.5
SEM-10FT Parts	4.6
SEM-10FT Kits	4.7
SEM-10SS	Section 5
Bulletin	5.2
Parts	5.4
SEM-30	Section 6
Kits	6.2
Accessories	Section 7
Clean-Lock™ Coupler	7.2
SPAN Adapters	7.3
Magnetic Clutches	7.3
Vent Assembly	7.4
Dip Tubes	7.4

Disclaimer

It is the customer's responsibility to ensure the compatibility of the pump and the product being dispensed.



Scienco AP-30

Air Piston Pump

Scienco AP-30

Air Piston Pump



High Capacity, Low Maintenance

The high capacity AP-30 air piston pump is ideal for agricultural and industrial services, including herbicides, diesel fuel, gasoline and lubricating oils. It offers users a high degree of reliability, versatility and long life.

The AP-30 air piston pump is ruggedly and smartly constructed. With no motor to burn out and with minimal moving parts, AP-30 is extremely reliable and requires little maintenance. Its aluminum, stainless steel and non-metallic construction resists corrosion from most agricultural and industrial chemicals. The pump is built with no metal-to-metal contact to reduce wear.

Applications

- Herbicides
- Gasoline
- Diesel fuel
- Antifreeze
- Lubricating oils
- Water
- Cutting oils
- Waste oil

Features and Benefits

Versatile Air Piston Design accepts stationary and portable auxiliary air compressors as well as portable carbon dioxide cylinders

Ruggedly Constructed with minimal moving parts and no metal-to-metal contact

Includes 50 mm (2 in) NPT bung adapter and high density polyethylene dip tube

Undamaged by dead heading

Materials of Construction

Component	Material
Housing, Piston	Aluminum
Piston Liners, Valve Springs, Shaft	Stainless Steel
Piston Ring	PTFE with Buna® O-ring backup
Packing	PTFE
Valves	Nylon®

Note: Ensure chemical compatibility between liquid pumped and the wetted pump components prior to use.

® Buna is a registered trademark of the DuPont Company.

® Nylon is a registered trademark of the Dupont Company.

Pump Dimensions

Height	400 mm (16 in)
Width	175 mm (7.5 in)
Air Inlet	6 mm (0.25 in) female NPT
Suction Port	25 mm (1 in) female NPT
Discharge Port	25 mm (1 in) female NPT
Weight	7 kg (15 lbs)

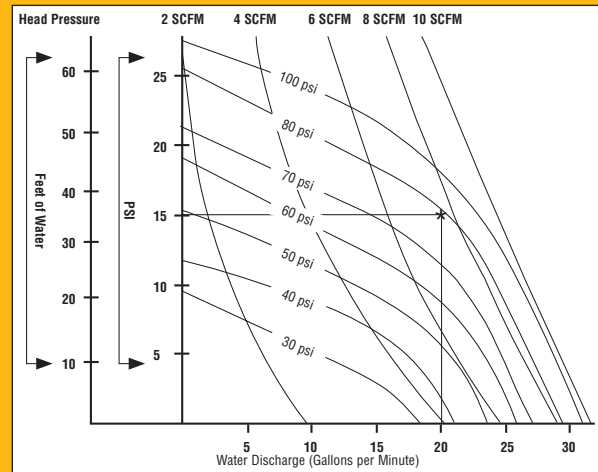
Versatility of Air Sources

- Stationary air compressor
- Portable air compressor
- Auxiliary air
- Portable CO₂
- Truck compressor attachments

Operating Parameters

- Flows to 10 m³/h (30 gpm)
- Maximum air pressure: 8.6 bar (125 psi)
- 15 m³/h (9 ft³/m) compressed air
- Pressure rating: 1/3 to 1

AP-30 Performance Curve



@ 80 psi air pressure and 15 psi fluid pressure, an AP-30 pumps 20 gpm

Bulletin PSS-90-20.1c (E) Printed in USA. August 2008.

© Flowserve Corporation

To find your local Flowserve representative:

For more information about Flowserve Corporation, visit www.flowserve.com or call USA 1 800 728 PUMP (7867)

USA and Canada

Flowserve Corporation
5215 North O'Connor Blvd.
Suite 2300
Irving, Texas 75039-5421 USA
Telephone: 1 937 890 5839

Flowserve Corporation

Scienco Pumps
5599 E. Holmes Road
Memphis, Tennessee 38118 USA
Telephone: 1 800 343 7867
Telefax: 1 901 259 3946

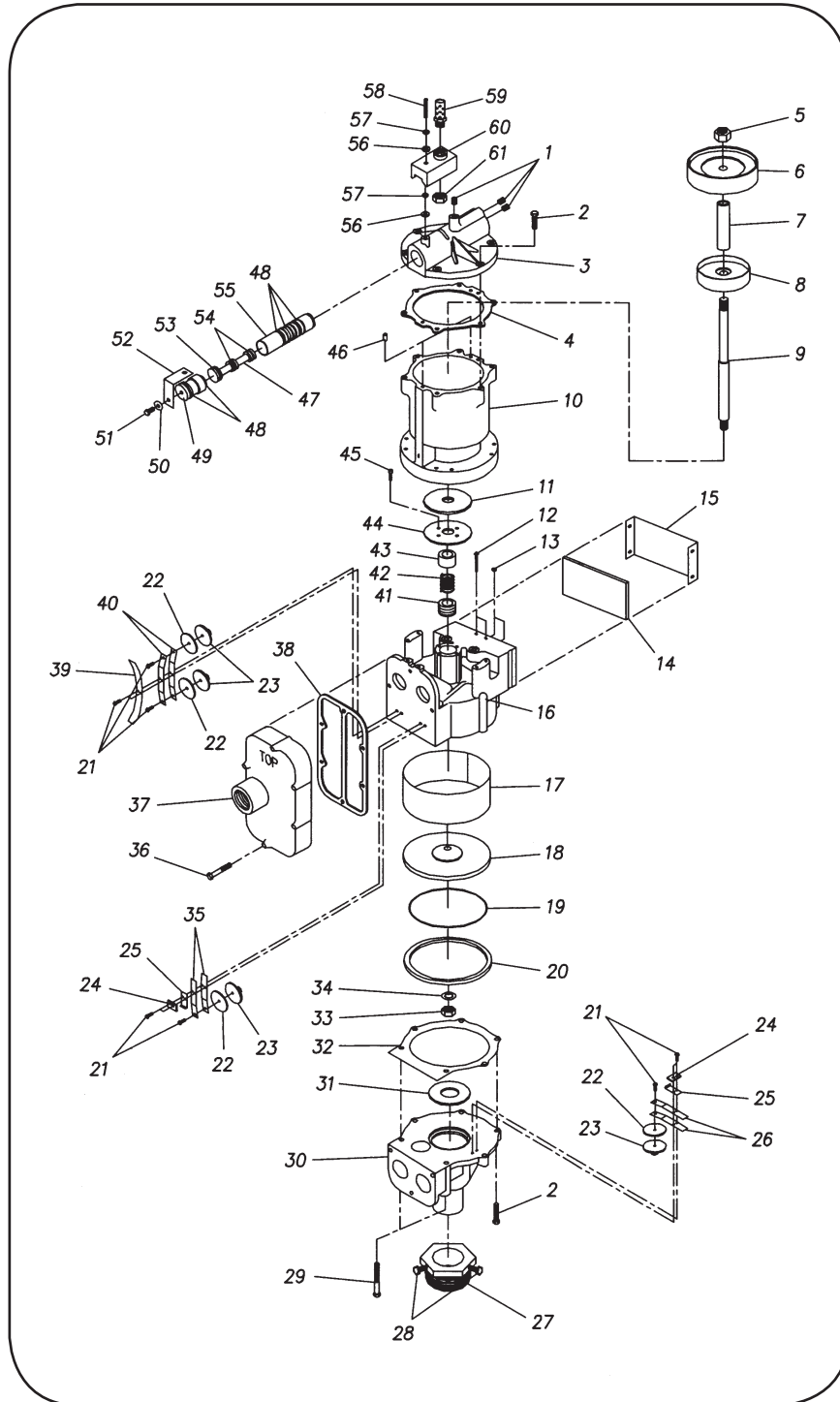
Europe, Middle East, Africa

Flowserve Corporation
Gebouw Hagepoint
Westbroek 39-51
4822 ZX Breda
Netherlands
Telephone: (31) 76 502 8920

Latin America

Flowserve Corporation
Boulevard del Cafetal
Edificio Ninina, Local 7
El Cafetal - Caracas
Venezuela 1061
Telephone: 58 212 985 3092
Telefax: 58 212 985 1007

AP-30 Air Piston Pump Unit Parts List



AP-30 Air Piston Pump Parts List

ITEM NUMBER	PART NUMBER	QTY	DESCRIPTION	AVAILABLE AS
1	AP-08	3	PIPE PLUG	AP-30 KIT-03, AP-30 KIT-06
2	BP-32	10	HEX HEAD SCREW	AP-30 KIT-03
3	AP-01	1	SPOOL VALVE HSG	AP-30 KIT-06
4	AP-11	1	GASKET	AP-30 KIT-08, AP-30 KIT-06
5	AP-14	1	HEX NUT	AP-30 KIT-03, AP-30 KIT-02
6	AP-15	1	LARGE RUBBERIZED PISTON	PART
7	AP-17	1	SPACER	AP-30 KIT-02
8	AP-18	1	SMALL RUBBERIZED PISTON	PART
9	AP-16	1	PISTON ROD	AP-30 KIT-02
10	AP-12	1	AIR MOTOR HOUSING	AP-30 KIT-02
11	AP-19	1	FOAM WASHER	AP-30 KIT-02
12	AP-54	8	HEX SCREW	AP-30 KIT-03
13	AP-86	2	NUT	AP-30 KIT-03
14	BP-38	1	BREATHER FILTER	AP-30 KIT-04
15	AP-45	1	BREATHER COVER FOR AIR PUMPS	AP-30 KIT-04
16	AP-44	1	UPPER HOUSING	PART
17	BP-17	1	STAINLESS STEEL PISTON LINER	AP-30 KIT-07
18	BP-18	1	PISTON	AP-30 KIT-07
19	BP-19A	1	O-RING	AP-30 KIT-07
20	BP-19	1	PISTON RING	AP-30 KIT-07, AP-30 KIT
21	BP-20	10	PAN HEAD SCREW	AP-30 KIT
22	AP-36A	4	SS VALVE BACKUP	AP-30 KIT
23	BP-25	4	VALVE	AP-30 KIT
24	BP-21	2	VALVE SPRING BASE	AP-30 KIT
25	BP-35	2	SINGLE VALVE SPRING BACKUP	AP-30 KIT
26	BP-36	2	SINGLE VALVE SPRING	AP-30 KIT
27	BP-29	1	VENTED BUNG ADAPTER	AP-30 KIT-05
28	BP-30	2	HEX HEAD SCREW	AP-30 KIT-03, AP-30 KIT-05
29	BP-28	2	HEX HEAD SCREW	AP-30 KIT-03
30	BP-31	1	LOWER HOUSING	AP-30 KIT-01
31	BP-67	1	ALUMINUM WASHER	AP-30 KIT-01
32	BP-33	1	BOTTOM GASKET	AP-30 KIT-01, AP-30 KIT
33	BP-12	1	THIN NUT	AP-30 KIT-03
34	BP-12W	1	LOCK WASHER	AP-30 KIT-03
35	BP-36	2	SINGLE VALVE SPRING	AP-30 KIT
36	BP-26	6	HEX HEAD SCREW	AP-30 KIT-03
37	BP-16	1	VALVE HOUSING	AP-30 KIT-01
38	BP-27	1	GASKET	AP-30 KIT
39	AP-23	1	DOUBLE VALVE SUPPORT	AP-30 KIT
40	BP-23	2	DOUBLE VALVE SPRING	AP-30 KIT
41	BP-09	1	CHEVRON PACKING ASSY.	AP-30 KIT
42	BP-08	1	SPRING	AP-30 KIT-02
43	BP-07	1	TEFLON PACKING	AP-30 KIT
44	AP-20	1	WASHER PLATE	AP-30 KIT-02
45	AP-49	4	ALLEN HEAD CAP SCREW	AP-30 KIT-03
46	AP-62	2	STAINLESS SPIRAL PIN	AP-30 KIT-02
47	AP-10	1	SPOOL	AP-30 KIT-06, AP-30 KIT-08
48	AP-06	5	O-RING	AP-30 KIT, AP-30 KIT-06
49	AP-51	1	PLUG	AP-30 KIT-06, AP-30 KIT-08
50	AP-53A	1	WASHER	AP-30 KIT-03, AP-30 KIT-06, AP-30 KIT-08
51	AP-52	1	HEX SCREW	AP-30 KIT-06, AP-30 KIT-03, AP-30 KIT-08
52	AP-63	1	PLUG RETAINER	AP-30 KIT-06, AP-30 KIT-08
53	AP-05	1	O-RING	AP-30 KIT, AP-30 KIT-06, AP-30 KIT-08
54	AP-07	2	O-RING	AP-30 KIT, AP-30 KIT-06, AP-30 KIT-08
55	AP-03	1	SPOOL SLEEVE	AP-30 KIT-06, AP-30 KIT-08
56	DD6P-09SS	2	SS FLAT WASHER	AP-30 KIT-06, AP-90 KIT, AP-30 KIT-03
57	AP-02A	2	THIN NUT	AP-30 KIT-03, AP-90 KIT, AP-30 KIT-06
58	AP4-52	1	SET SCREW	AP-30 KIT-03, AP-90 KIT
59	AP4-54	1	AIR MUFFLER	AP-30 KIT-06, AP-90 KIT
60	AP-90	1	EXHAUST MANIFOLD	AP-30 KIT-06, AP-90 KIT
61	AP-92	1	NPT JAM NUT ZINC PLATED	AP-30 KIT-03, AP-90 KIT, AP-30 KIT-06

AP-30 Air Piston Pump Accessories



SEM-10

Includes Viton® O-rings.

SEM-10EPDM

Includes EPDM O-rings.

Non-metallic electronic flow meter.



SEM-10FT

The SEM-10FT flow through electronic flow meter is able to be mounted at the hose end.



SEM-10SS

Stainless steel electronic flow meter.



Xtube-V

Includes Viton O-rings.

Xtube-E

Includes EPDM O-rings.

Adjustable polypropylene dip tubes.

- Adjusts from 67.3 cm to 120.7 cm (26.5 in to 47.5 in)
- Hose clamp connection
- Rubber hose
- Clamps



Xtube-TV

Includes Viton O-ring.

Xtube-TE

Includes EPDM O-ring.

Threaded adjustable polypropylene dip tube.

- Adjusts from 67.3 cm to 120.7 cm (26.5 in to 47.5 in)
- 25 mm (1 in) male pipe threads



EP-58-10

1 in x 12 ft (20 mm x 3.6 m) nylon lined discharge hose.

AP-30 Air Piston Pump Accessories



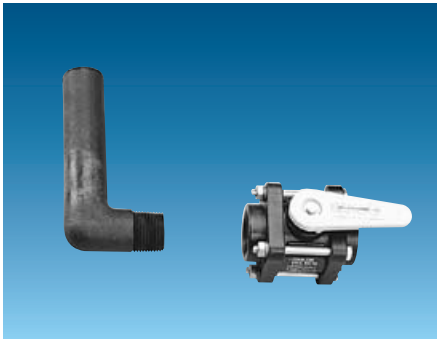
EP-58-04
1 in x 12 ft (25 mm x 3.6 m)
EPDM discharge hose.



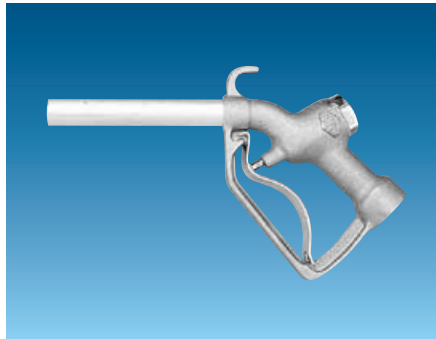
PH-20
25 mm (1 in) NPT ball valve and spout.



CLM-01
Male Clean-Lock, pump portion with 90° discharge elbow and 360° swivel. A Clean Aid rinse out device with extra O-rings is included with each male Clean-Lock.

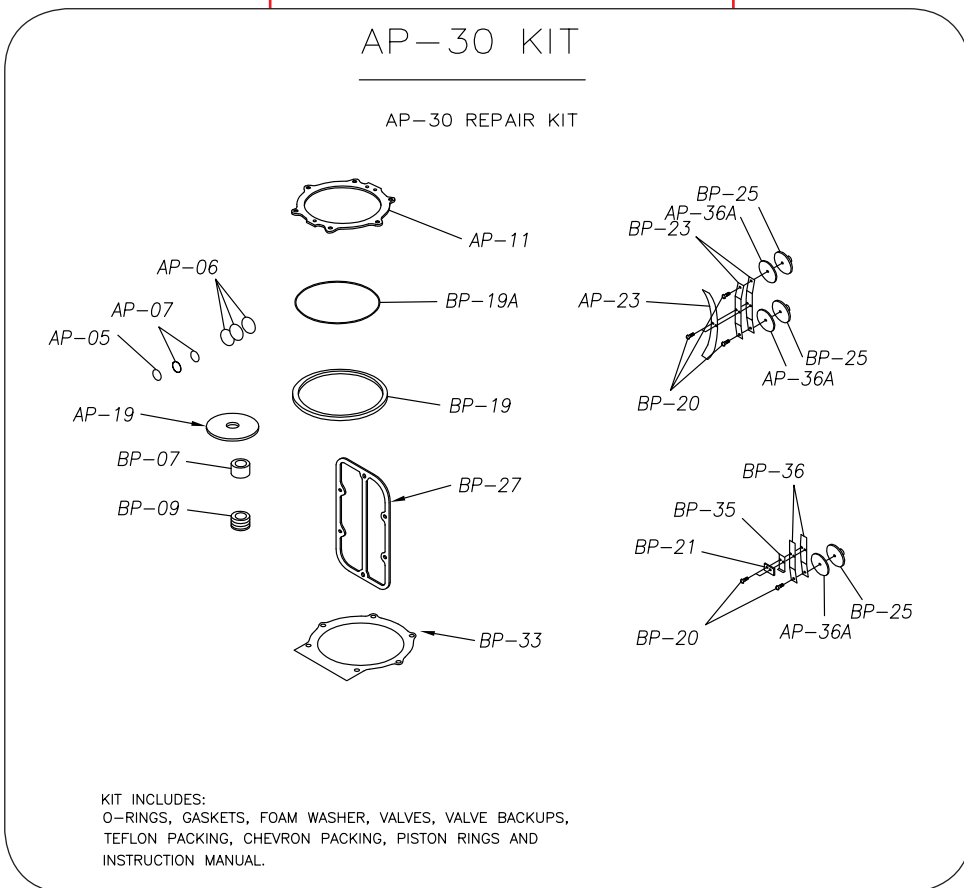


EP-62
Ball valve and spout.

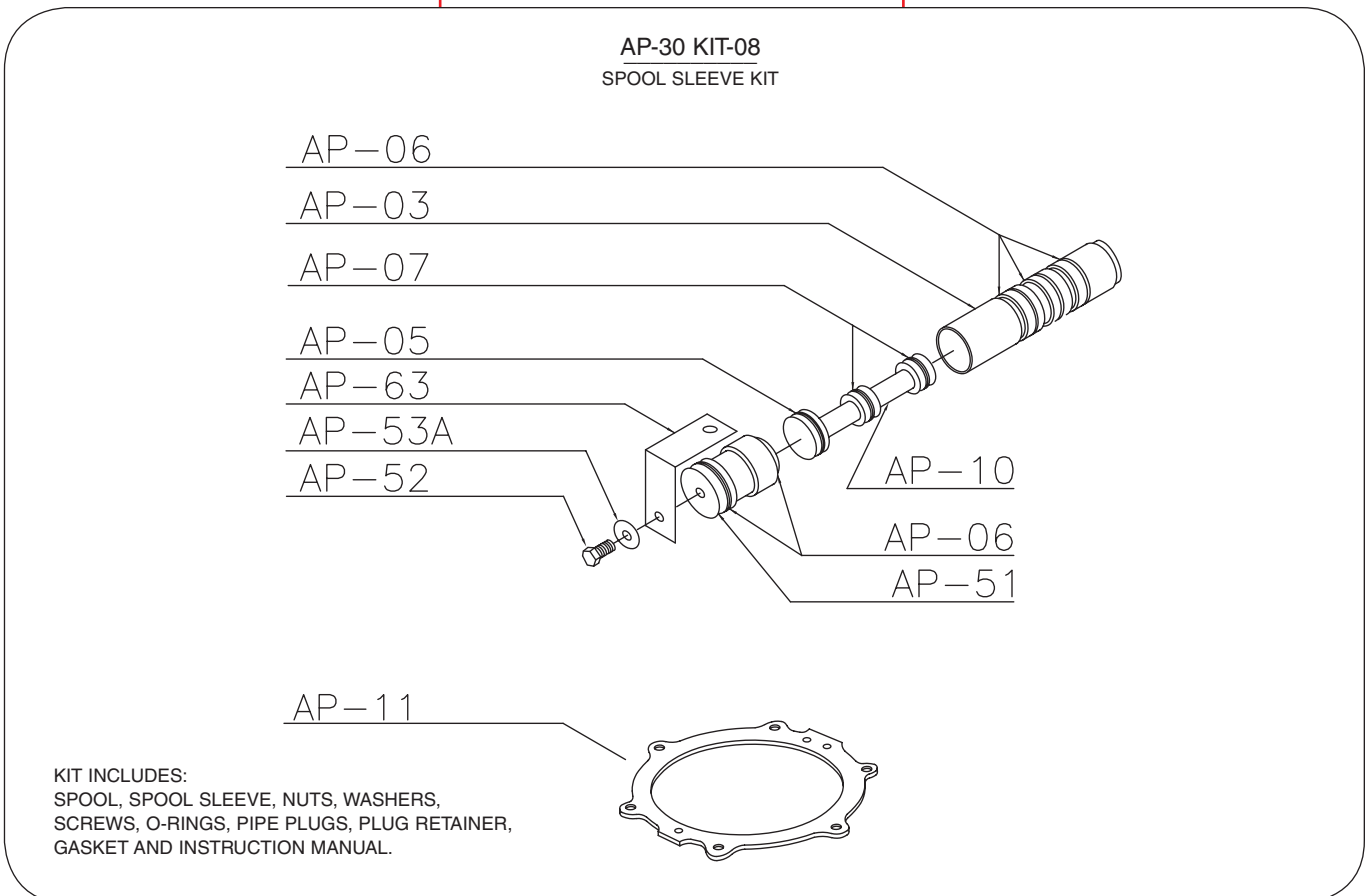
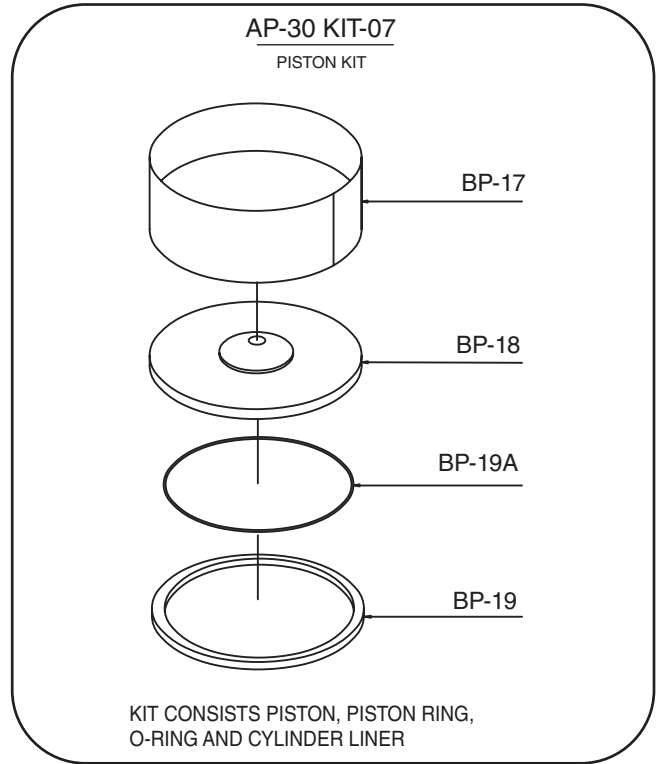
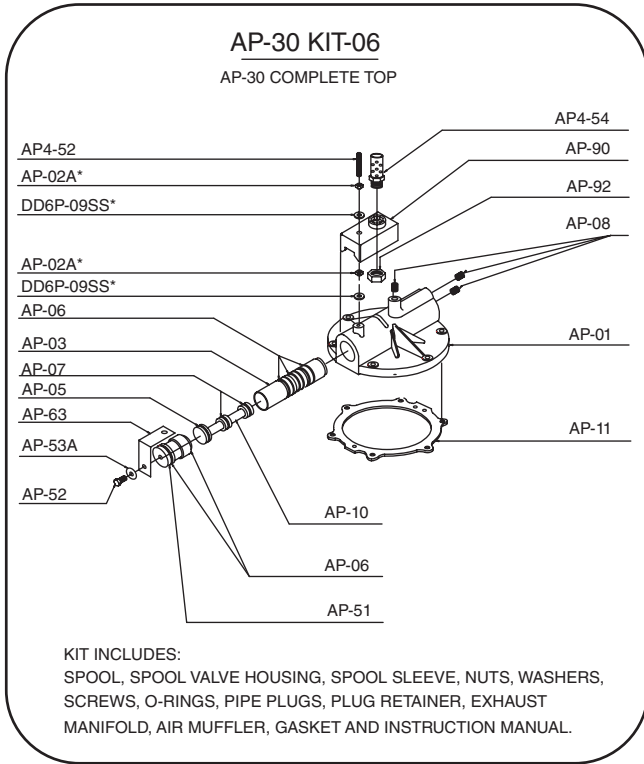


BP-63
Aluminum 3/4 in (20 mm) trigger nozzle.
Also available in non-metallic.

AP-30 Air Piston Pump Kits

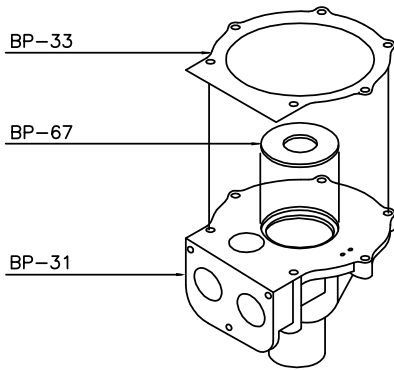


AP-30 Air Piston Pump Kits



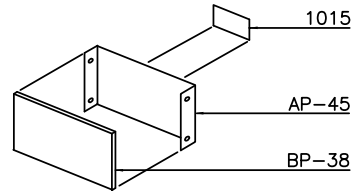
AP-30 Air Piston Pump Kits

AP-30 KIT-01
LOWER HOUSING REPAIR KIT



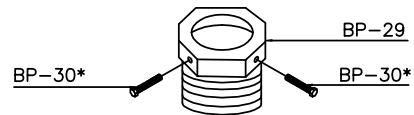
KIT INCLUDES:
LOWER HOUSING, BOTTOM GASKET, WASHER AND INSTRUCTION MANUAL.

AP-30 KIT-04
AP-30 BREATHER COVER KIT



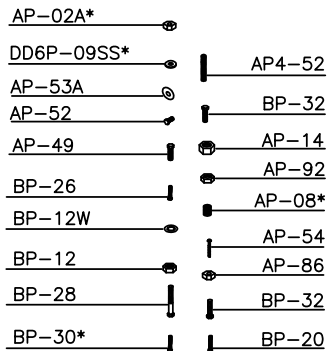
KIT INCLUDES:
BREATHER FILTER, BREATHER COVER AND PUMP LABEL.

AP-30 KIT-05
AP-30 BUNG ADAPTER KIT



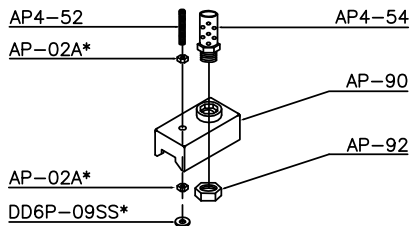
KIT INCLUDES:
VENTED BUNG ADAPTER AND SCREWS.

AP-30 KIT-03
AP-30 COMPLETE SCREW & NUT KIT



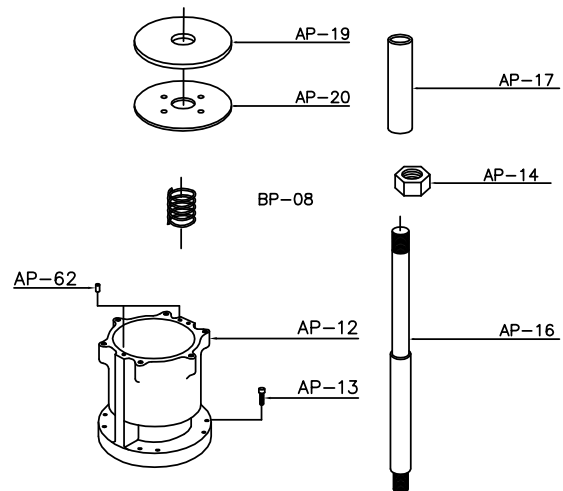
KIT CONTAINS:
NUTS, WASHERS, SCREWS, AND PIPE PLUG.

AP-90 KIT
AP-30 MUFFLER UPGRADE KIT



KIT INCLUDES:
EXHAUST MANIFOLD, AIR MUFFLER, NUTS, WASHERS AND INSTRUCTION MANUAL.

AP-30 KIT-02
AIR HOUSING KIT W/ROLL PINS & SET SCREWS



KIT INCLUDES:
AIR MOTOR HOUSING, SCREWS, SPIRAL PIN, FOAM WASHER, WASHER PLATE, SPACER, SPRING, HEX NUT AND PISTON ROD.



Scienco DD6

Self-Priming Diaphragm Pump and Motor

Scienco DD6

Self-Priming Diaphragm Pump and Motor



Versatile and Reliable Closed System Pumping

The DD6 is a versatile self-priming diaphragm pump designed to transfer high and low viscosity liquids. Its unique mounting design makes it ideal for closed system mixing, transferring and rinsing since the pump never needs to be removed and the container never needs to be opened.

Applications

- Agriculture
- Chemical transfer
- Non-flammable liquids
- Light oils
- Inks
- Automotive fluids

Operating Parameters

- Flows to 45 l/m (12 gpm)
- Heads to 3.6 m (12 ft)
- Pressures to 1.7 bar (25 psi)
- Temperatures to 55°C (130°F)
- Viscosities to 250 cP (11 600 ssu)

Features and Benefits

Six-Celled Piston Diaphragm Construction is highly reliable and can run dry without damage.

Unique Mounting Design enables closed system mixing, transfer and rinsing.

Unique Slip-In-Place Discharge Port rotates 120° for easy operation.

Removable Drive Unit enables multiple unit pumping with a single motor.

Durable Stainless Steel and Non-Metallic Pump Construction provides excellent corrosion resistance.

Low Amperage Draw allows the motor to drive the pump without overheating.

Pump Cover protects pistons and springs from damage and contamination when not in use.

Manual Tank Vent is standard.

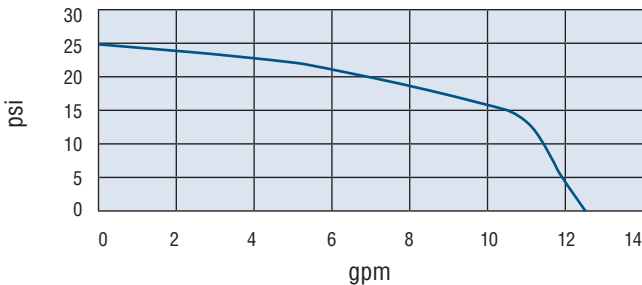
Materials of Construction

Component	Material
Pump housing	Glass-filled polypropylene
Internal wetted parts	Polypropylene, Ryton® and stainless steel
Diaphragm, Gaskets, O-rings	Santoprene® (Viton® optional)
Coupling	EPDM (Viton optional)
Hose clamps	Stainless steel
Discharge hose	EPDM

Note: Ensure chemical compatibility between liquid pumped and the wetted pump components prior to use.

© Ryton and Viton are registered trademarks of the DuPont Company.
 © Santoprene is a registered trademark of the Monsanto Company.

Pressure vs. Flow (water @ 70°F)



California Requirements

The state of California requires a closed transfer system to be used for removing pesticides from a container. To meet these requirements, a ball valve must be installed in place of the flow meter's quick connector and a dry break (Scienco Products KD-32 Clean-Lock™) must be used at the end of the hose.

Removable DD6 Drive Unit

The DD6 drive unit is a 12-volt motor (110 V AC available) designed for use with the DD6 pump. It is well suited to operate pumps transferring both viscous and thin liquids.

The DD6 motor is easily removed to facilitate maintenance. This feature also enables multiple unit pumping with a single motor. Operating costs are reduced since multiple motors are not needed.

The DD6 motor is available alone or as part of a drive unit package. The DD6 drive unit package includes: DD6 motor, electronic flow meter, discharge elbow, discharge hose, ball valve, spout and aluminum quick coupler.

Operating Parameters

- Operating current: 15 to 25 amps
- Speed: 2600 rpm
- Power source: 12 V DC; 110 V AC optional



DD6 Drive Unit and Accessories

Bulletin PSS-90-20.2e (E) Printed in USA. January 2011.
 © Flowserve Corporation

To find your local Flowserve representative:

For more information about Flowserve Corporation, visit www.flowserve.com or call +1 937 890 5839.

USA and Canada

Flowserve Corporation
 5215 North O'Connor Blvd.
 Suite 2300
 Irving, Texas 75039-5421 USA
 Telephone: +1 937 890 5839

Europe, Middle East, Africa

Flowserve Corporation
 Parallelweg 13
 4878 AH Etten-Leur
 The Netherlands
 Telephone: +31 76 502 8100

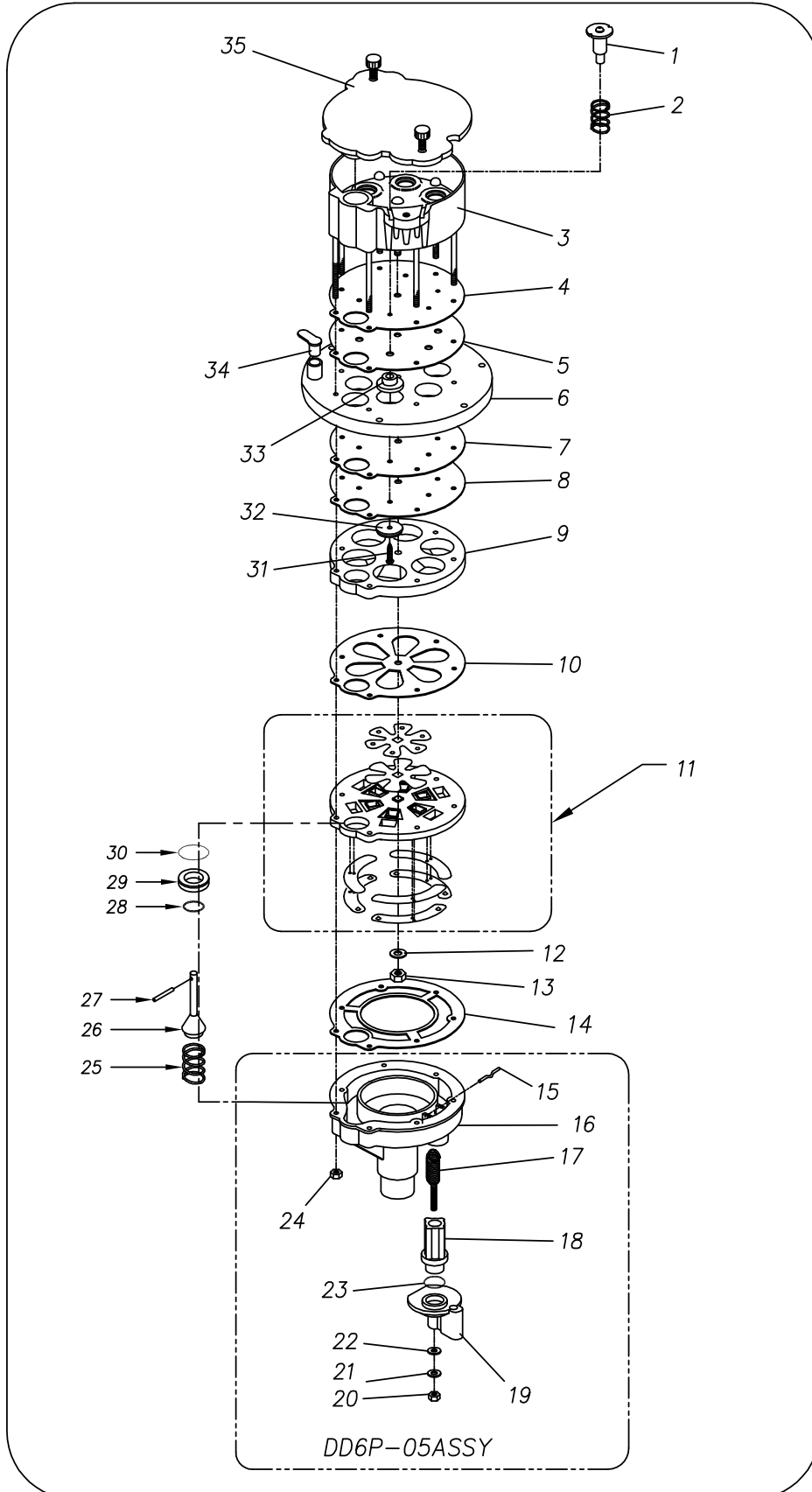
Latin America

Flowserve Corporation
 Martín Rodríguez 4460
 B1644CGN-Victoria-San Fernando
 Buenos Aires, Argentina
 Telephone: +54 11 4006 8700
 Telefax: +54 11 4714 1610

Asia Pacific

Flowserve Pte. Ltd.
 10 Tuas Loop
 Singapore 637345
 Telephone: +65 6771 0600
 Telefax: +65 6779 4607

DD6 Pump / CKVLV Parts List



DD6 Pump / CKVLV Parts List

ITEM NUMBER	PART NUMBER	QTY	DESCRIPTION	AVAILABLE AS
1	DD6P-12	6	Piston	KD-35
2	DD6P-13	6	Piston Spring	KD-35
3	DD6P-01	1	Top Housing	KD-45
4	DD6P-14	1	EPDM Dry Side Noreinforc. Diapm.	KD-34
5	DD6P-15	1	EPDM Fluid Side Reinforc. Diapm.	KD-34
6	DD6P-02H	1	White/11 Hole/Vntd Adapt Plate Without Pushrod Hole	
7	DD6P-18	1	EPDM Dry Side Reinforc. Diapm.	KD-34
8	DD6P-19S	1	Viton Fluid Side Noreinforc. Diapm.	KD-34
9	DD6P-03	1	Cylinder Plate	Part
10	DD6P-21	1	EPDM Inlet Gasket	DD6 Repair Kit, DD6 Kit-01, DD6 Kit-03
11	KD-16	1	Valve Plate Assy w/ Valves	
12	DD6P-09SS	1	SS Flat Washer	KD-45, KD-45Y, DD6 Repair Kit, DD6 Kit-01
13	DD6P-10SS	1	SS Hex Nut	KD-45, KD-45Y, DD6 Repair Kit, DD6 Kit-01
14	DD6P-22	1	EPDM Outlet Gasket	DD6 Repair Kit, DD6 Kit-01
15	DD6P-27-01	1	Dowel Pin, 316 Stainless Steel	
16	DD6P-05	1	Bottom Housing	
17	DD6P-26	1	SS Spring & SS Screw	KD-07
18	DD6P-25	1	Bypass Cylinder	KD-07
19	DD6P-36	1	Bypass Delector	KD-07
20	DD6P-07SS	1	SS Nyl Ins Lock Nut	KD-07, DD6 Kit-01, DD6P-51 Assy
21	DD6P-46W	1	SS Washer	KD-07, DD6 Kit-03, DD6P-51 Assy
22	DD6P-26B	1	EPDM Washer	KD-07
23	DD6P-42A	2	Viton O-Ring	KD-07
24	NUT-02	7	SS Nylong Lock Nut	KD-45, KD-45Y
25	EP-51	1	Bypass Spring	
26	DD6P-75	1	Safety Valve Stem	
27	DD6P-76	1	1/8 x 7/8 SS Dowel Pin	
28	HPA-24V	1	O-Ring, #114, Viton	
29	DD6P-77	1	Teflon Valve Seat	
30	DD6M-100	1	#020 Viton O-Ring Comp #19707	
31	DD6P-17SS	7	Phil Pan HD SS Screw	KD-06, KD-35
32	DD6P-20	6	Piston Backup	KD-35
33	DD6P-16	6	Piston Cap	KD-35
34	DD6P-06A	1	Pump Vent Handle	KD-15, DD6 Kit-03
35	DD6P-29-01	1	Rain Cover for DD6 Pmp Ck/Vlv	KD-06

DD6 Pump Accessories



DD6 Motor

Twelve volt motor for the DD6 pump; 110 volt motor available.



SEM-10FT

The SEM-10FT flow through electronic flow meter is able to be mounted at the hose end.



Xtube-V

Includes Viton O-rings.

Xtube-E

Includes EPDM O-rings.

Adjustable polypropylene dip tubes.

- Adjusts from 67.3 cm to 120.7 cm (26.5 in to 47.5 in)
- Hose clamp connection
- Rubber hose
- Clamps



Xtube-TV

Includes Viton O-ring.

Xtube-TE

Includes EPDM O-ring.

Threaded adjustable polypropylene dip tube.

- Adjusts from 67.3 cm to 120.7 cm (26.5 in to 47.5 in)
- 25 mm (1 in) male pipe threads



BTUBE-##

Bellows dip tube. Bellows foot for adjustment into tank. Includes EPDM or Viton (customer specifies) flex connector and two stainless steel hose clamps. To ensure proper fit, customer should specify dip tube length and/or container size and manufacturer when ordering.

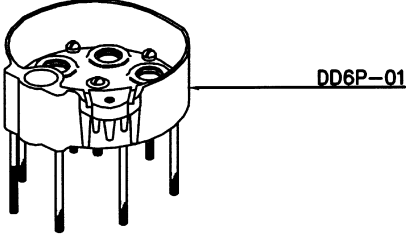


KD-04-##


Static polypropylene dip tube available in various lengths to fit most drum applications. Includes EPDM flex connector and two stainless steel hose clamps. To ensure proper fit, customer should specify dip tube length and/or container size and manufacturer when ordering.


DD6 Pump Kits


KD-45
 WHITE DD6 PUMP TOP HOUSING KIT W/NUTS



DD6P-01

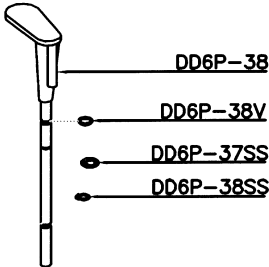
DD6P-09SS 

DD6P-10SS 

NUT-02  (7)

**KIT INCLUDES:
 TOP HOUSING, LOCK NUTS, WASHER, AND HEX. NUT.**

KD-36
 DD6 PUMP PUSH ROD KIT



DD6P-38

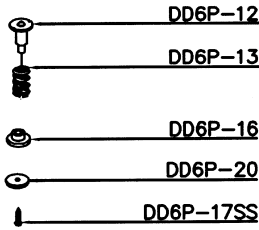
DD6P-38V

DD6P-37SS

DD6P-38SS

**KIT INCLUDES:
 PUSH ROD, O-RING, SS SNAP, AND
 SS SNAP RING.**

KD-35
 DD6 PUMP PISTON AND SPRING KIT



DD6P-12

DD6P-13

DD6P-16

DD6P-20

DD6P-17SS

**KIT INCLUDES SIX EACH OF:
 PISTON, PISTON SPRING, PISTON
 CAP, PISTON BACKUP AND SCREWS.**

DD6 Pump Kits

KD-15
DD6 PUMP VENT LEVERS

DD6P-06A

3018

KIT INCLUDES TEN EACH OF:
VENT HANDLES AND VENT TAGS.

KD-34
DD6 PUMP DIAPHRAGM KIT

DD6P-14

DD6P-15

DD6P-18

DD6P-19S

KIT INCLUDES:
DRY SIDE BARRIER, FLUID SIDE
BARRIER, DRY SIDE DIAPHRAGM AND
FLUID SIDE DIAPHRAGM.

KD-17
DD6 PUMP SNAP RING & O-RING KIT

DD6P-31

DD6M-100

EP-37

DD6P-38V

DD6P-38SS

DD6P-37SS

KIT INCLUDES FIVE EACH OF:
O-RINGS, SNAP RINGS AND
SS RING.

KD-06
WHITE RAIN COVER KIT

DD6P-32

DD6P-29P

DD6P-17SS

DD6P-31

DD6P-29-01

DD6P-33

DD6P-33

KIT INCLUDES:
MOUNTING SCREWS, WASHER, THUMB SCREW, RAIN COVER,
O-RING AND INSTRUCTIONS.

KD-07
PUMP BYPASS KIT

DD6P-27-01

DD6P-26

DD6P-25

DD6P-42A

DD6P-37SS

DD6P-36

DD6P-26B

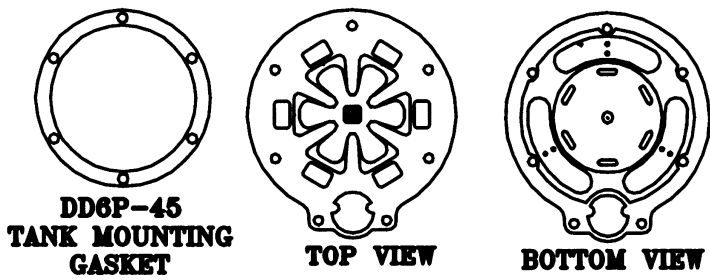
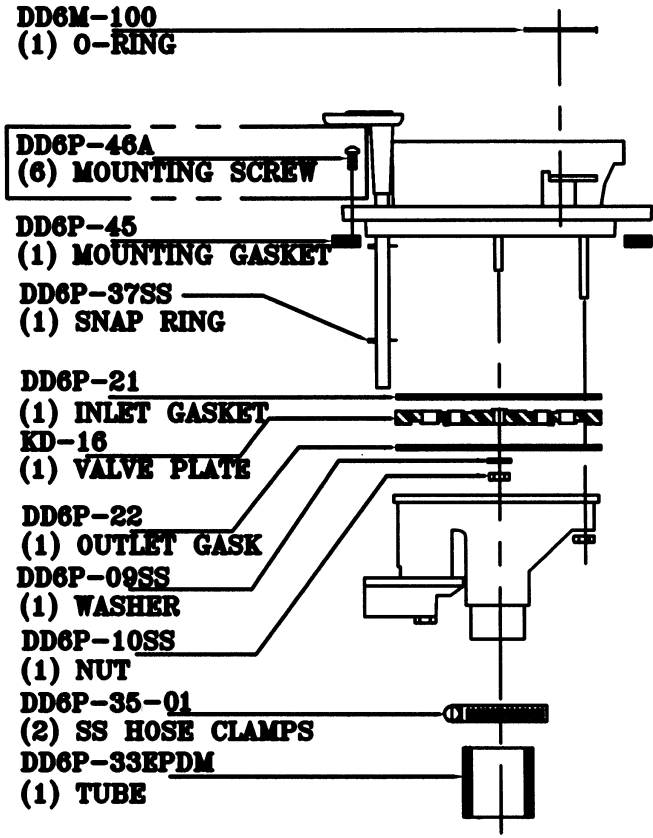
DD6P-46W

DD6P-07SS

KIT INCLUDES:
LOCK NUT, WASHERS, BYPASS
CYLINDER, SS SPRING, RETAINER
PIN, DEFLECTOR, SNAP RING AND
O-RING.

DD6 Pump Kits

DD6 REPAIR KIT
DD6 PUMP/CHECK VALVE REPAIR KIT

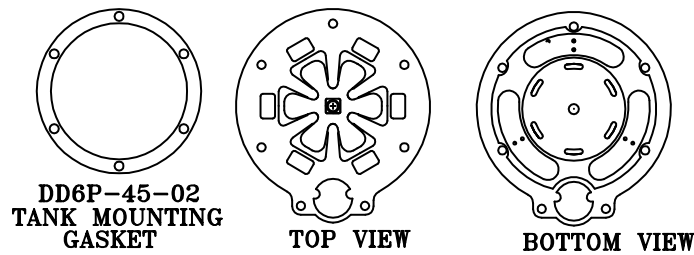
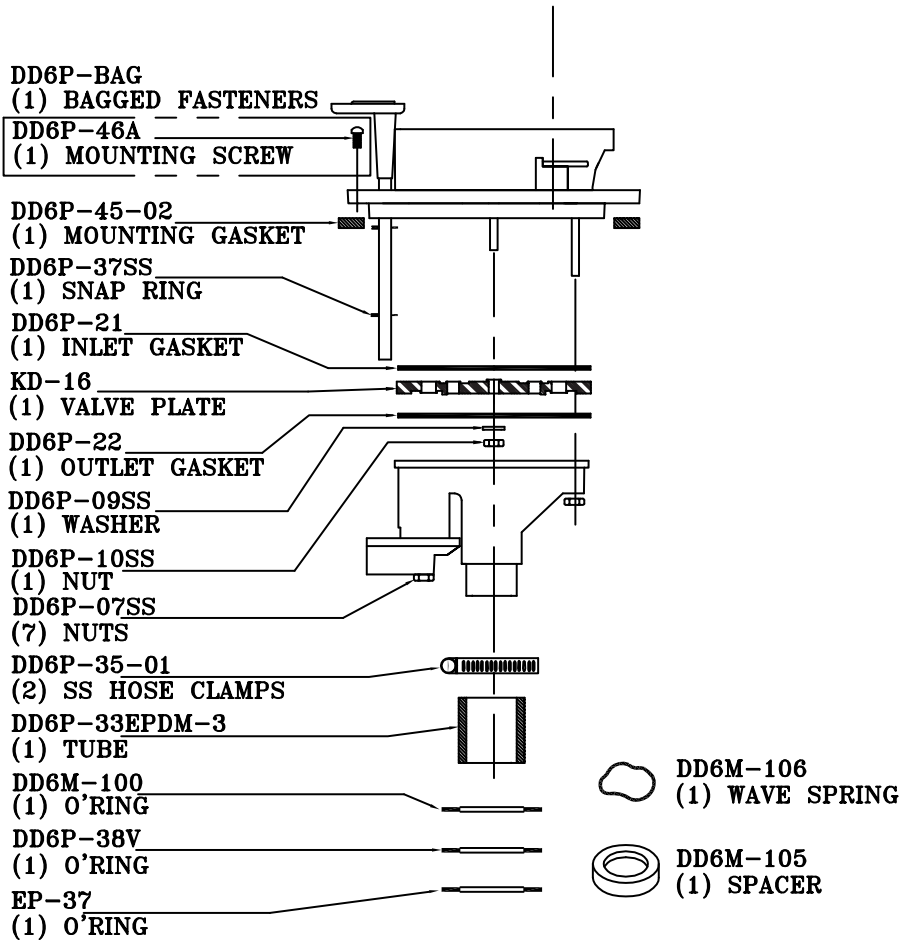


KIT INCLUDES:
MOUNTING SCREWS, WASHERS, VENT TAG, O-RINGS, SPACER, VENT HANDLE, REINFORCED INLET & OUTLET GASKET, TANK GASKET, TUBING, HOSE CLAMP, SNAP RING, SAFETY VALVE STEM, DOWELL PIN, BYPASS SPRING, VALVE PLATE FOR CHECK VALVE, TANK GASKET, OWNER'S MANUAL AND O-RING & SPACER CARD.

DD6 Pump Kits

DD6 KIT-01

(DD6 REPAIR KIT W/THICK FLEX HOSE)



KIT INCLUDES:
 MOUNTING SCREWS, TUBING, S.S. HOSE CLAMP, O-RINGS,
 TANK GASKET, INLET & OUTLET GASKET, SPACER, WAVE SPRING,
 VALVE PLATE ASSY. W/VALVES, AND INSTRUCTION SHEET.

DD6 Pump Kits

DD6 KIT
(DD6 REPAIR KIT)

DD6P-BAG-01

DD6P-46A

DD6P-45

DD6P-33EPDM

DD6P-35-01

KIT INCLUDES:
MOUNTING SCREWS, TUBING, S.S. HOSE CLAMP, AND TANK GASKET.

DD6 KIT-03
DD6 PUMP/CKVLV. REPAIR KIT

BAG

DD6P-06A

3018

BAG

MAX-SS-1024

DD6P-46A

DD6P-46W

DD6P-37SS

DD6P-GR-45

DD6P-21

KD-16-01

DD6P-22

DD6P-35-01

DD6P-33EPDM

BAG

DD6M-105

DD6M-100

DD6P-38V

EP-37

BAG

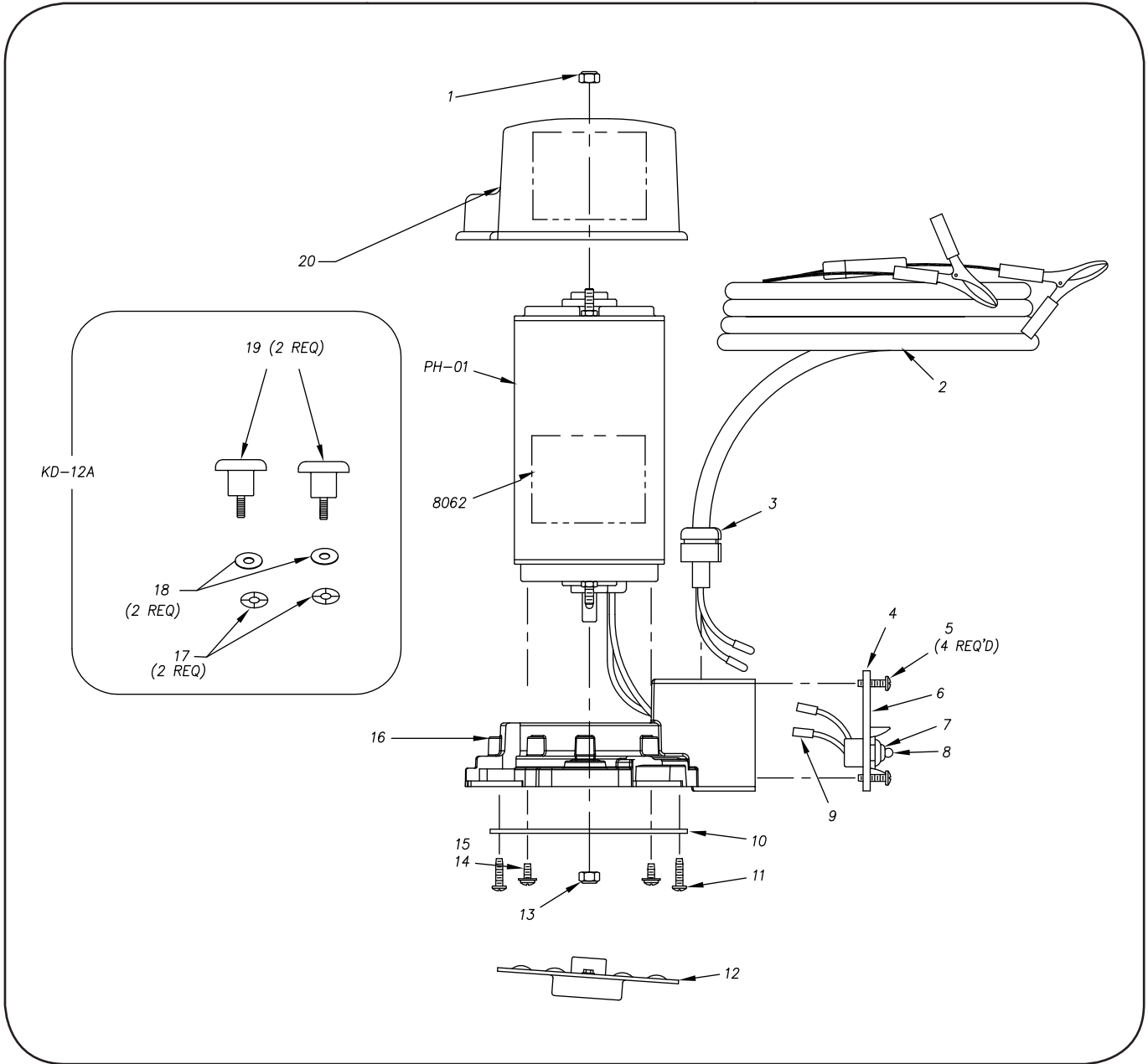
DD6P-75

EP-51

DD6P-76

KIT INCLUDES:
VENT TAG, O-RINGS, SPACER, VENT HANDLE, INLET & OUTLET GASKETS, TANK GASKET, TUBING, SS HOSE CLAMP, SS SNAP RING, SCREWS, WASHERS, VALVE STEM, SS DOWELL PIN, BYPASS SPRING, VALVE PLATE, AND OWNER'S MANUAL.

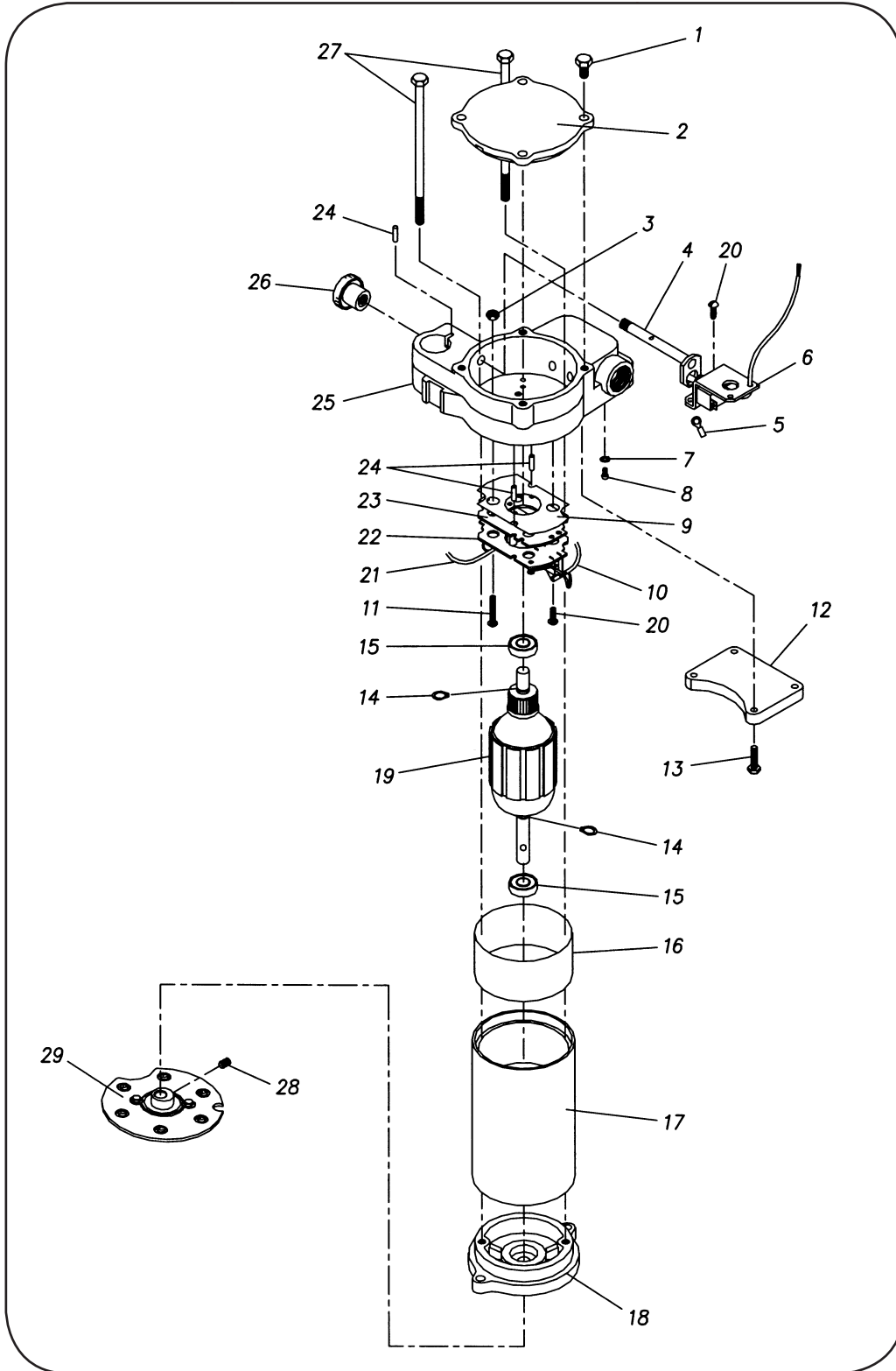
DD6 Non-UL Motor Parts List



DD6 Non-UL Motor Parts List

ITEM NUMBER	PART NUMBER	QTY	DESCRIPTION	AVAILABLE AS
1	DD6P-07SS	2	Nut	
2	PHA-04	1	Cable Assembly	
3	PH-14	1	Cord Bushing	
4	PH-07	1	Switch Plate	PHP KIT-03
5	PH-03	4	Screw	PHP KIT-03
6	3081			
7	PH-09	1	Switch Boot	PHP KIT-03
8	PH-08	1	Switch	PHP KIT-03
9	PH-11	2	Wire Terminals	PHP KIT-03
10	PH-02SZ	1	Motor Mounting Plate	
11	PH-03	7	Screw	
12	WP-01ASSY	1	Drive Plate	KD-11
13	DD6P-07SS	2	Nut	
14	Washer-34	2	Washer	
15	EP-11	2	Lock Nut	
16	PH-50	1	Motor Adapter	
17	DD6P-32	2	Bolt Retainers	KD-12A
18	DD6M-47NW	2	Washer	KD-12A
19	DD6M-41	2	Motor Handles	KD-12A
20	PH-49	1	Motor Cap	

DD6 UL-Listed Motor Parts List (Applies to products made prior to June 2005.)



DD6 UL-Listed Motor Parts List (Applies to products made prior to June 2005.)

ITEM NUMBER	PART NUMBER	QTY	DESCRIPTION	AVAILABLE AS
1	BP-30	4	HEX HEAD SCREW	KD-14
2	EP-03	1	SWITCH COVER	PART
3	EP-10A	1	SM PATTERN HEX NUT	KD-14
4	EP-06ASSY	1	WELDED EP-05 & EP-06	KD-52, KD-47
5	EP-23A	1	RING TERMINAL	EP-13 ASSY, EP-26A
6	EP-13ASSY	1	SWITCH ASSEMBLY	EP-13 ASSY
7	EP-88W	1	COLLAR LOCK WASHER	KD-14
8	EP-88S	1	FILL SCREW GREEN	KD-14
9	EP-24	1	POLYSTER SPACER	EP-17-01
10	EP-18R	1	BRUSH W/RED LEAD WIRE	EP-17-01
11	EP-10A	1	ROUND HEAD SCREW	KD-14, KD-48
12	EP-04	1	JUNCTION BOX COVER	PART
13	EP-25	4	HEX HEAD SCREW	KD-14
14	EP-19	2	SNAP RING	KD-49, KD-50
15	EP-20	2	BEARING	KD-49, KD-50
16	EP-22	1	FISH PAPER	KD-51
17	EP-15	1	TUBE & MAGNET	KD-51
18	EP-01	1	FRONT MOTOR CAP	PART
19	DD6M-16	1	ARMATURE	KD-49
20	EP-11	2	SCREW	KD-47, KD-14
21	EP-18	1	BRUSH W/BLACK LEAD WIRE	EP-17-01
22	EP-17ASSY	1	EP-17B + EP-17S ASSEMBLED	EP-17-01
23	EP-17A	1	BOTTOM BRUSH PLATE	EP-17-01
24	EP-57	3	ROLL PINS	KD-40, KD-47, KD-49
25	EP-02	1	REAR MOTOR CAP	KD-47
26	EP-GR-09	1	ON/OFF BLACK KNOB	KD-52, KD-47
27	EP-14	2	HEX INDENTED	KD-14
28	CP-47	1	SET SCREW	KD-14, KD-11
29	WP-01ASSY	1	DRIVE PLATE ASSEMBLY	KD-11, PART

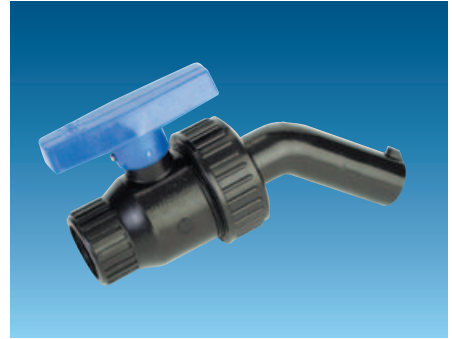
DD6 Motor Accessories



SEM-10
Includes Viton® O-rings.
SEM-10EPDM
Includes EPDM O-rings.
Non-metallic electronic flow meter.



SEM-10SS
Stainless steel electronic flow meter.



PH-20
Non-metallic ball valve and spout.



PHA-04
DD6 motor cable.



Cable Assembly
UL-listed cable and circuit breaker.



EP-80
Battery clips, red.
EP-80
Battery clips, black.

DD6 Motor Accessories



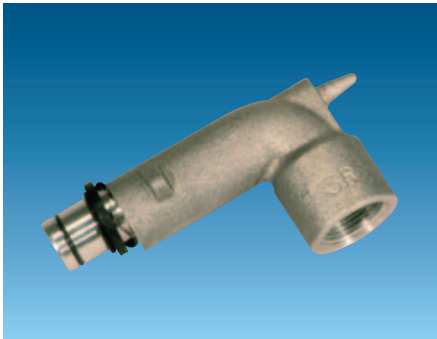
EP-58-10
1 in x 12 ft (20 mm x 3.6 m)
nylon lined hose.



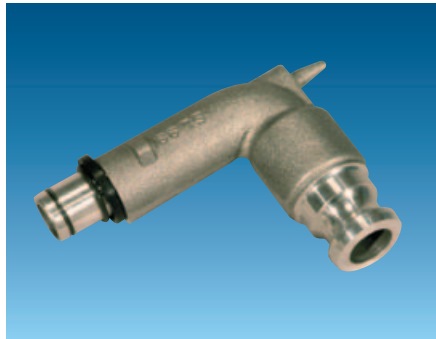
EP-58-09
1 in x 12 ft (25 mm x 3.6 m)
EPDM hose.



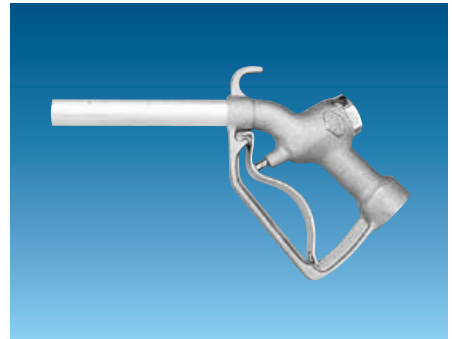
CLM-01
Male Clean-Lock, pump portion with 90° discharge elbow and 360° swivel. A Clean Aid rinse out device with extra O-rings is included with each male Clean-Lock.



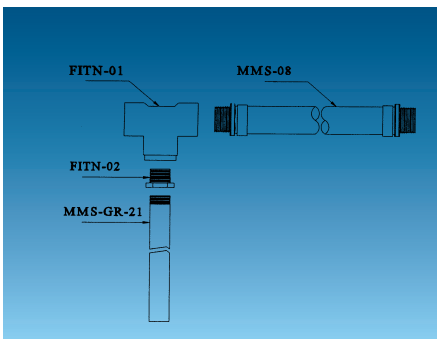
KD-23-01
Elbow kit, threaded.



KD-23-AC
Elbow kit, not threaded.

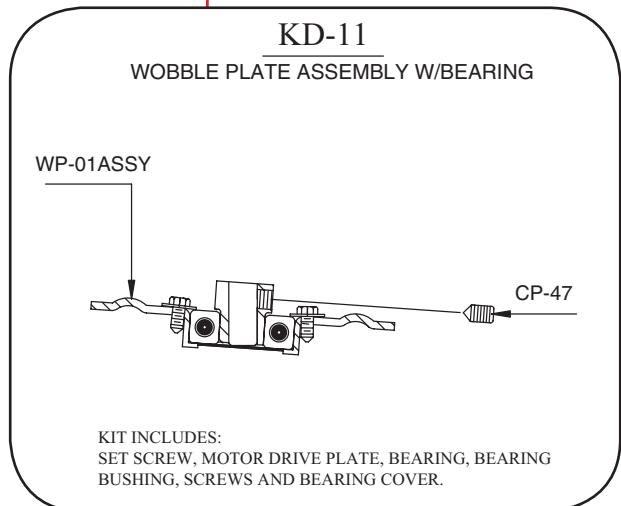
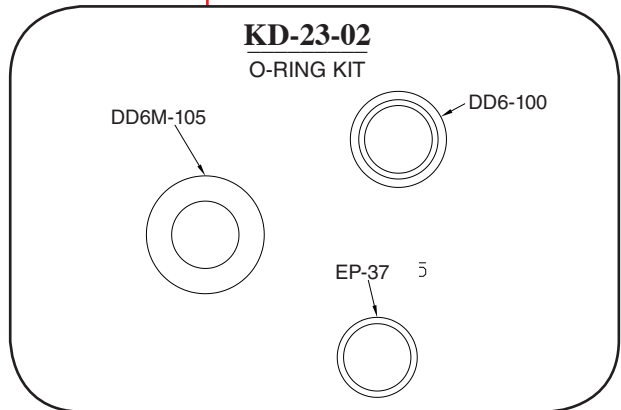
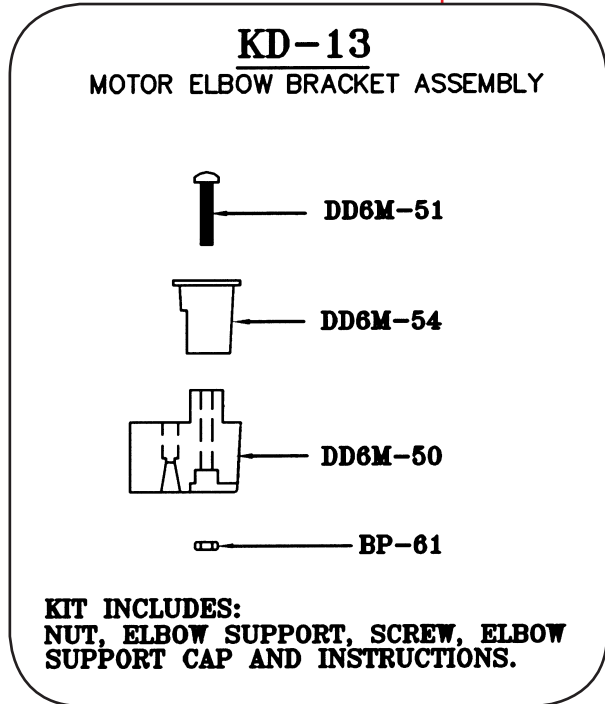
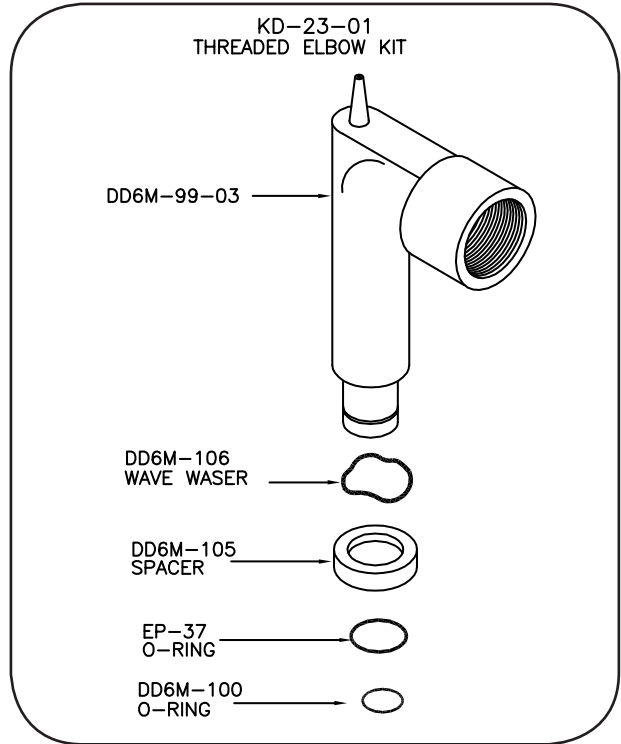
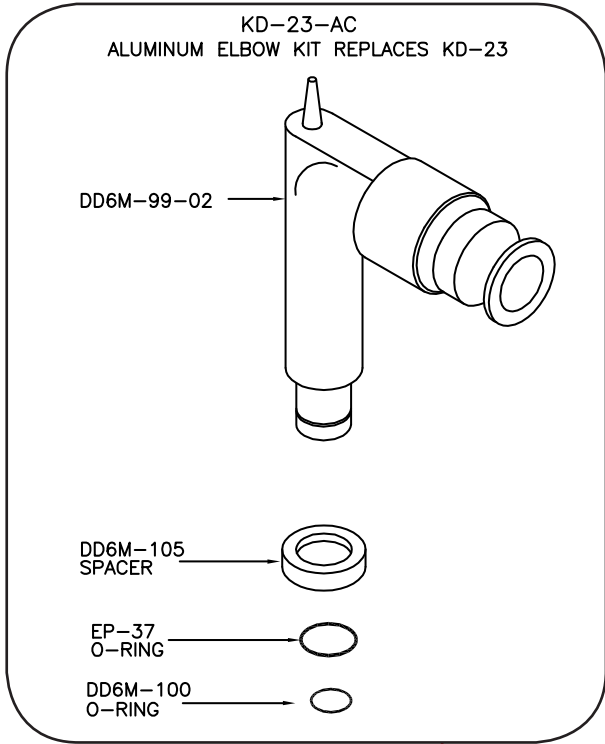


BP-63
Aluminum 3/4 in (20 mm)
Trigger nozzle.



MMS-02MON
Plastic T, rod and hose.

DD6 UL-Listed Motor Kits



DD6 UL-Listed Motor Kits

EP-13ASSY
SWITCH ASSEMBLY

KIT INCLUDES:
SWITCH SUPPORT, SWITCH AND WIRE & TERMINAL ASSEMBLY.

KD-21
CABLE REPLACEMENT KIT

KIT INCLUDES:
CABLE & CIRCUIT BREAKER ASSEMBLY, APPLETON CONNECTOR, BATTERY CLAMPS, RING TERMINALS, WIRE NUTS AND INSTRUCTIONS.

KD-40
DD6 MOTOR BEARING & SNAP RING

KIT INCLUDES:
ROLL PIN, ARMATURE, SNAP RING AND BEARING.

KD-49
DD6 & SS6 ARMATURE/BEARING KIT

KIT INCLUDES:
ROLL PIN, ARMATURE, SNAP RING AND BEARING.

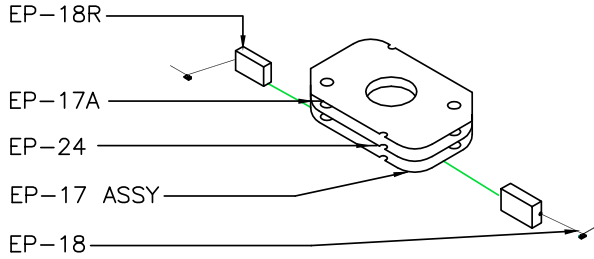
KD-51
MAGNETIZED TUBE & FISHER PAPER

KIT INCLUDES:
TUBE & MAGNET AND FISH PAPER.

DD6 UL-Listed Motor Kits

EP-17-01

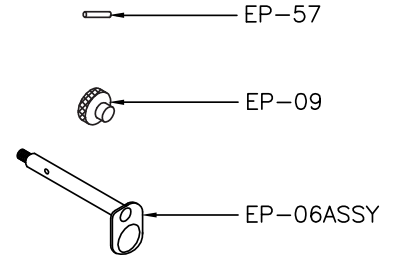
BRUSH & BRUSH PLATE REPLACEMENT



KIT INCLUDES:
 BOTTOM BRUSH PLATE, BRUSH PLATE & SPRING
 (ASSEMBLED), BRUSH LEAD WIRES AND SPACER

KD-52

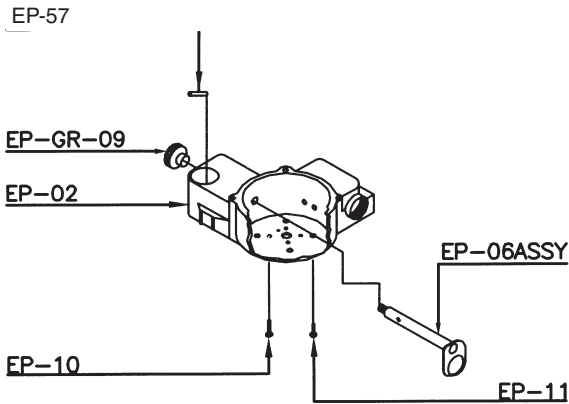
ON/OFF LEVER KIT



KIT INCLUDES:
 ROLL PIN, SET SCREW, ON/OFF KNOB,
 SWITCH LEVER AND SWITCH SHAFT ASSEMBLY.

KD-47

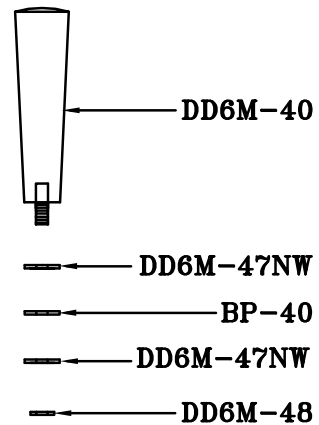
DD6, SS6 & EP-12 REAR MOTOR



KIT INCLUDES:
 ROLL PIN, REAR MOTOR CAP, SWITCH LEVER
 & SWITCH SHAFT, SCREWS AND ON/OFF
 KNOB.

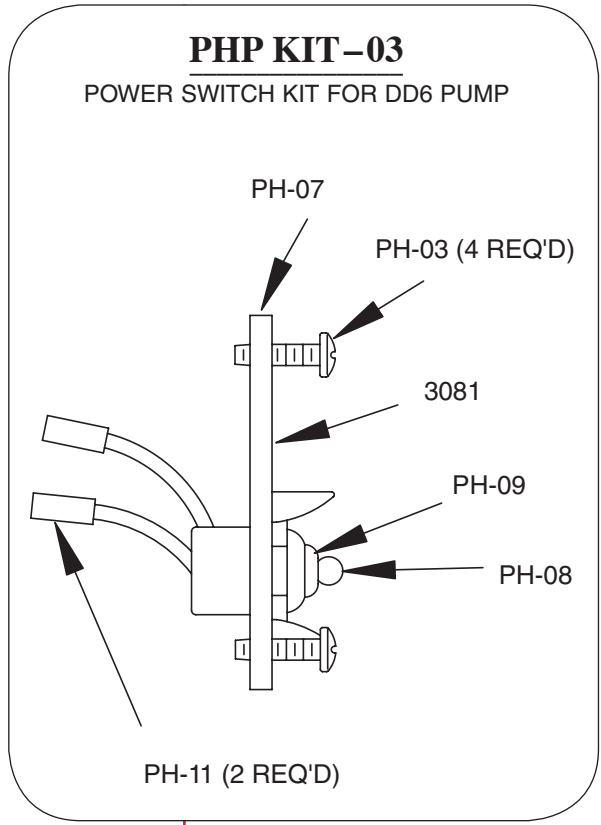
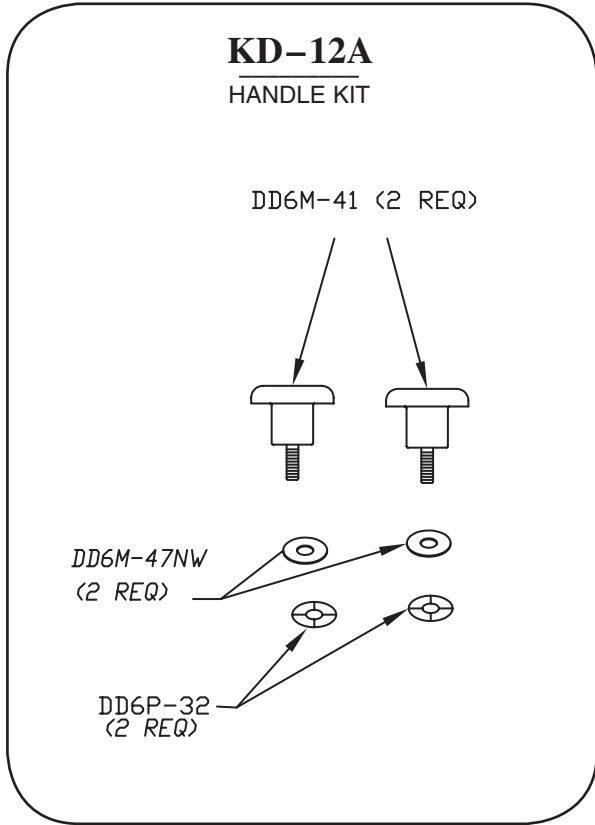
KD-12

BLACK HANDLE KIT



KIT INCLUDES:
 WASHERS, HANDLES AND LOCK NUTS.

DD6 Non-UL Motor Kits





Scienco PH6 Panther Diaphragm Transfer Pump

Scienco PH6 Panther

Diaphragm Transfer Pump



Powerful and Versatile

The PH6 Panther diaphragm transfer pump is engineered for use with low and high viscosity fluids. Designed to fit virtually any container, the PH6 is the standard for many ag-chem mini-bulk systems. Capable of generating a maximum pressure of 1.7 bar (25 psi), it is able to pump viscous chemicals even on the coldest mornings. Its 12-volt motor is engineered to produce a flow rate of 30 to 38 l/m (8 to 10 gpm) at 16°C (60°F) with a 30-minute duty cycle. For application flexibility, the PH6 may be vertically or horizontally mounted.

Operating Parameters

- Flows to 38 l/m (10 gpm)
- Heads to 3.6 m (12 ft)
- Pressures to 1.7 bar (25 psi)
- Temperatures to 55°C (130°F)
- Viscosities to 2500 cP (11 600 ssu)

Applications

- Chemical transfer
- Non-flammable liquids
- Light oils
- Inks
- Automotive fluids
- Agriculture

Features and Benefits

Removable Cartridge containing diaphragm, valves and bypass assembly simplifies maintenance and field replacement

Multiple Pump-Chamber Design increases pump dependability and availability

Chemically Resistant, Non-Metallic Construction prolongs pump life. Nylon® pump housing and EPDM seals standard. Polypropylene housing and Viton® seals available. Diaphragm design is able to pump high or low viscosity fluids

Vertical or Horizontal Container Top Mount provides application flexibility

50 mm (2 in) Suction Port is adaptable to most container fittings or a camlock fitting. A 25 mm (1 in) reducer is available

Optional SPAN Cap fits tanks with 190.5 mm (7.5 in) male threaded openings. It is available in no recirculation, auto-recirculation and manual recirculation designs

Materials of Construction

Component	Standard Material	Optional Material
Casing	Glass-filled nylon	Glass-filled polypropylene
Cartridge housing	Polyphenylene sulfide (PPS)	
Valves	Stainless steel	Epoxy
O-rings	EPDM	Viton®, Buna-N®
Diaphragm	Santoprene®	

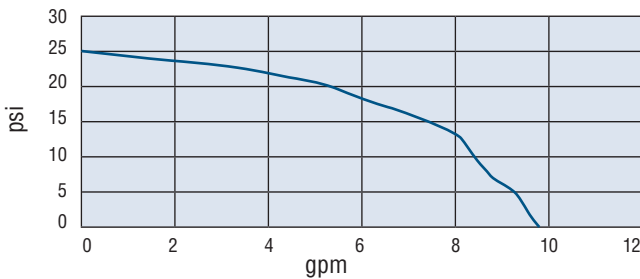
Note: Ensure chemical compatibility between the liquid pumped and the wetted pump components prior to use.

® Nylon and Viton are registered trademarks of DuPont Dow Elastomers, LLC.

® Buna-N is a registered trademark of the DuPont Company.

® Santoprene is a registered trademark of the Monasanto Company.

Pressure vs. Flow (water @ 70° F)



Available Equipment and Accessories

The PH6 Panther pump is available in multiple configurations, each with varying equipment and accessories. Dip tubes, bung adapters, male and female camlocks, ball valves and spouts, SPAN caps and discharge hoses are available.

Refer to the Scienco Product Support Catalog (P-70-100) to learn more about the available configurations.

Portable PH6 CADDY System

With its lightweight tubular frame, the PH6 CADDY System provides maximum portability and ease of handling for users of multiple containers.

The PH6 CADDY System includes: the tubular frame; the PH6 pump with 12-volt motor; an SEM-10 flow meter; a ball valve and spout; and two 25 mm (1 in) EPDM hoses. Other configurations are available and may include the SEM-10SS flow meter or the 110-volt motor.



PH6 CADDY System with SEM-10 Flow Meter

Reliability Guaranteed by 5-Year Service Program

Scienco's standard-duty PH6 Panther pumps, PH6 CADDY Systems and pump-mounted SEM-10 flow meters are backed by its industry-leading 5-Year Service Program. Through this program, Scienco pump users will spend less money and time on chemical transfer equipment than ever before.



For additional information about Scienco pumps or Scienco's 5-Year Service Program, please call 800 343 PUMP (7867).

Bulletin PSS-90-20.4d (E) Printed in USA. August 2008.
© Flowserve Corporation

To find your local Flowserve representative:

For more information about Flowserve Corporation, visit www.flowserve.com or call USA 1 800 728 PUMP (7867)

USA and Canada

Flowserve Corporation
5215 North O'Connor Blvd.
Suite 2300
Irving, Texas 75039-5421 USA
Telephone: 1 937 890 5839

Flowserve Corporation

Scienco Pumps
5599 E. Holmes Road
Memphis, Tennessee 38118 USA
Telephone: 1 800 343 7867
Telefax: 1 901 259 3946

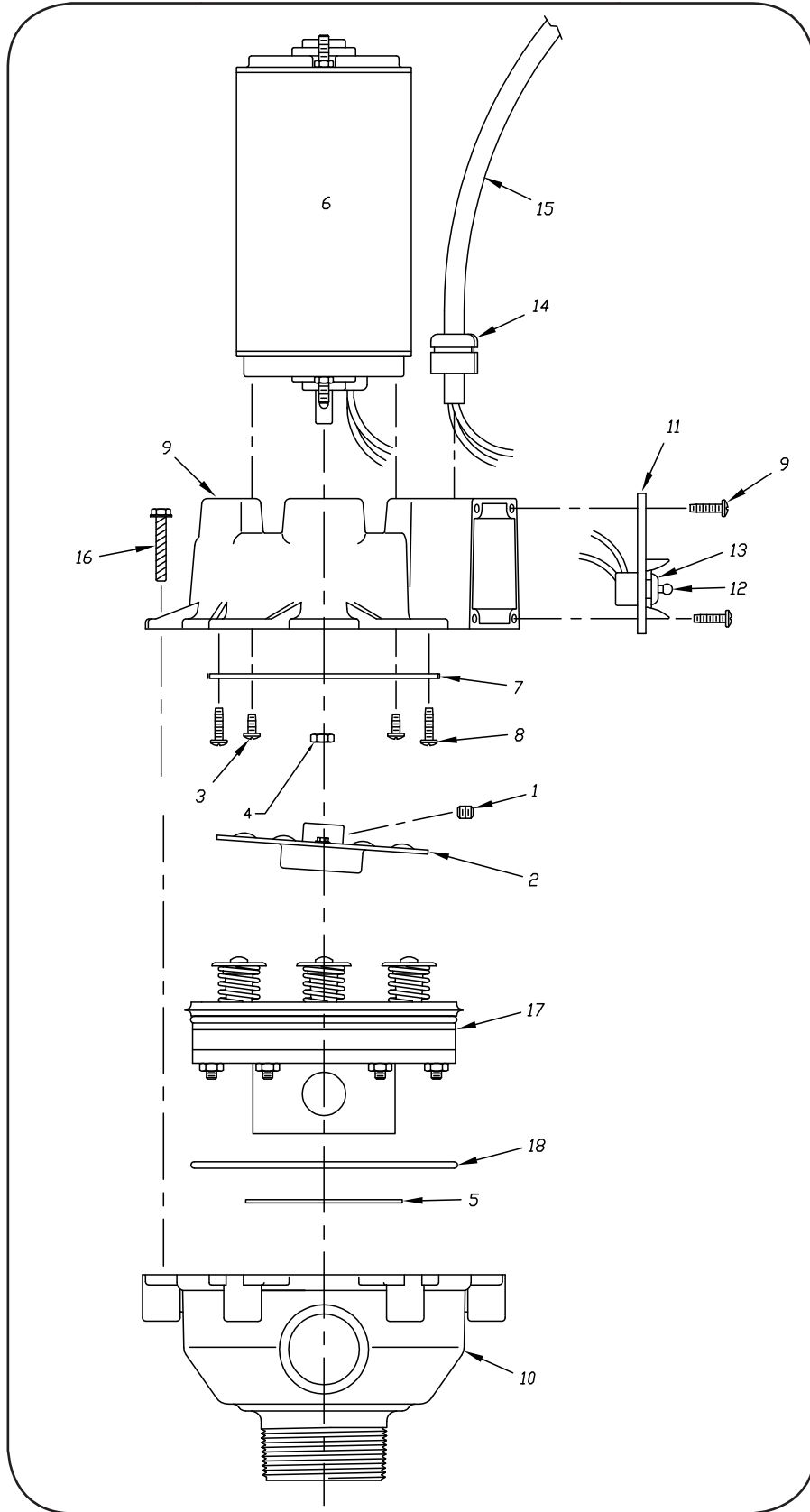
Europe, Middle East, Africa

Flowserve Corporation
Gebouw Hagepoint
Westbroek 39-51
4822 ZX Breda
Netherlands
Telephone: (31) 76 502 8920

Latin America

Flowserve Corporation
Boulevard del Cafetal
Edificio Ninina, Local 7
El Cafetal - Caracas
Venezuela 1061
Telephone: 58 212 985 3092
Telefax: 58 212 985 1007

PH6 Panther Pump Parts List (PH6P-01)



PH6 Panther Pump Parts List

ITEM NUMBER	PART NUMBER	QTY	DESCRIPTION	AVAILABLE AS
1	CP-47	1	1/4 - 20 X 1/4 SET SCREW	PH6M01
2	WP-01ASSY	1	MOTOR DRIVE PLATE ASSEMBLY	PART
3	EP-11	2	10/32 X 3/8 RND HD/PAN HD PHL SCREW	PH6M01
4	DD6P-07SS	2	10-32 SS NYLON INSERT LOCK NUT	PH6M01
5	LF-03 EPDM	1	EPDM 1/16 BOTTOM GASKET	PHP KIT-01, PHP KIT-02
6	PH-01	1	12 VOLT MAMCO MOTOR FOR PHP	PH6M01
7	PH-02	1	ALUMINUM MOTOR MOUNTING PLATE	PH6M01
8	PH-03	7	#10 X 5/8 PHIL. SS HI-LO SCREW	PHP KIT-03
9	PH-04	1	POLYPROPYLENE MOTOR HOUSING	PART
10	PH-05	1	NYLON PUMP HOUSING	PH6 KIT-01
11	PH-07	1	MOLDED JUNCTION BOX COVER	PHP KIT-03
12	PH-08	1	GAYNOR MICRO SWITCH/#6602-57	PHP KIT-03
13	PH-09	1	HALF BOOT FOR TOGGLE SWITCH	PHP KIT-03
14	PH-14	1	STRAIN RELIEF CORD BUSHING #1254	PH6M01
15	PHA-04	1	20' CABLE ASSY. FOR PH6 PUMP	PH6M01
16	PH-13	6	SELF-TAPPING SCREW	PH6 KIT-01
17	SS6P-D	1	PUMP CARTRIDGE FOR PH6	PHP KIT-01
18	SS6P-21	1	O-RING #248 EPDM	PHP KIT-01, PHP KIT-02

PH6 Panther Pump Accessories



SEM-10

Includes Viton® O-rings.

SEM-10EPDM

Includes EPDM O-rings.

Non-metallic electronic flow meter.



SEM-10FT

The SEM-10FT flow through electronic flow meter is able to be mounted at the hose end.



SEM-10SS

Stainless steel electronic flow meter.



EP-58-09

1 in x 12 ft (25 mm x 3.6 m) EPDM hose.



Xtube-V

Includes Viton O-rings.

Xtube-E

Includes EPDM O-rings.

Adjustable polypropylene dip tubes.

- Adjusts from 67.3 cm to 120.7 cm (26.5 in to 47.5 in)
- Hose clamp connection
- Rubber hose
- Clamps



Xtube-TV

Includes Viton O-ring.

Xtube-TE

Includes EPDM O-ring.

Threaded adjustable polypropylene dip tube.

- Adjusts from 67.3 cm to 120.7 cm (26.5 in to 47.5 in)
- 25 mm (1 in) male pipe threads

PH6 Panther Pump Accessories



CLM-01
Male Clean-Lock, pump portion with 90° discharge elbow and 360° swivel. A Clean Aid rinse out device with extra O-rings is included with each male Clean-Lock.



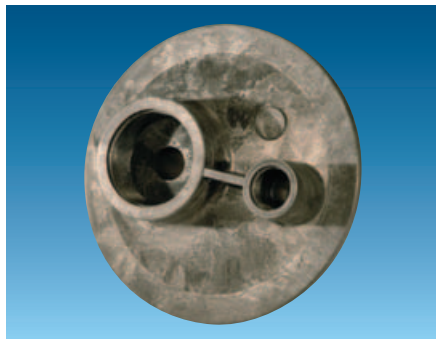
PH-20
Non-metallic ball valve and spout.



SPAN
Cap to adapt PH6 and DD6 pumps to 190.5 mm (7.5 in) tank openings.



SPA 700RA
SPAN adapter plate – auto recirculation adapter.



SPA 700R
SPAN adapter plate – manual recirculation adapter.



SPA 700N
SPAN adapter plate – no recirculation adapter.

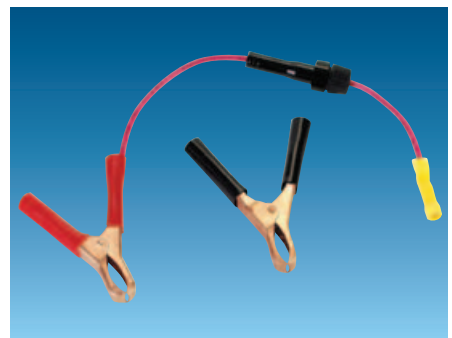


(Gasket P/N CL-29 not included)

PH-25
PH-25B
Includes buttress threads. Bung adapter.



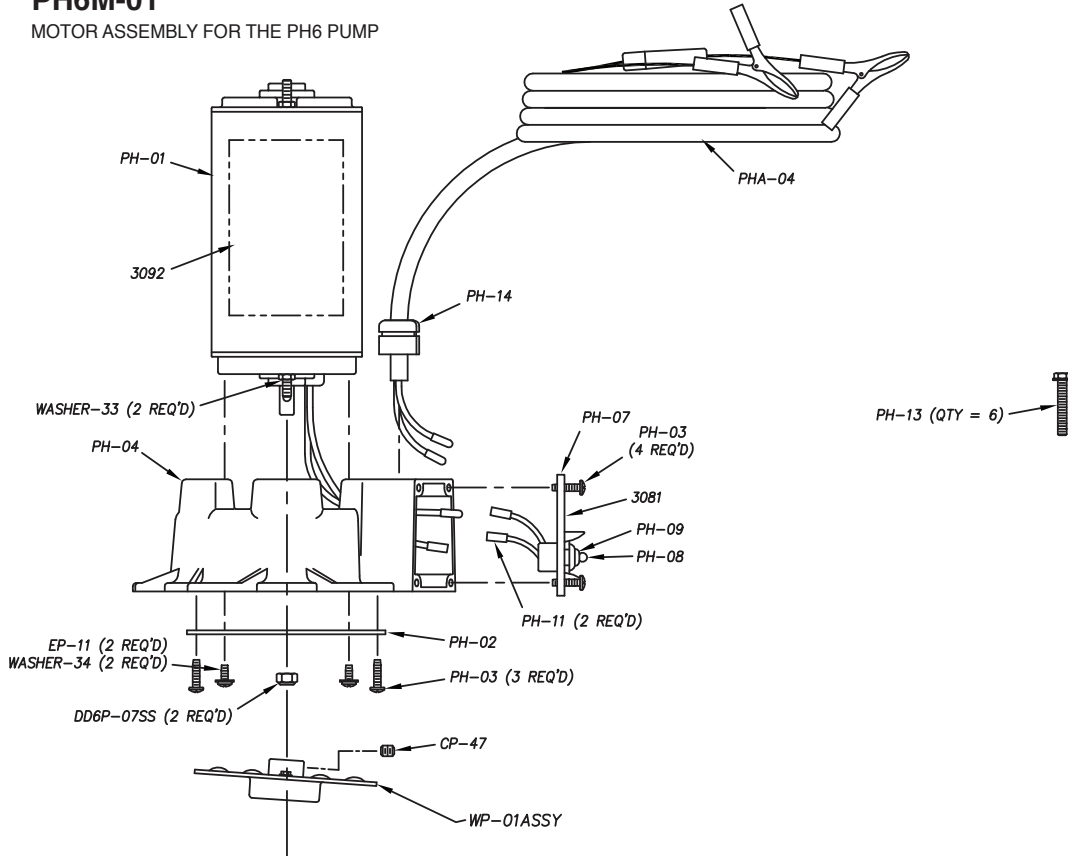
SPA 700G
Tank gasket for adapter plates. For use with PH6 or DD6 pumps.



PHA 06
Battery clips and cable.

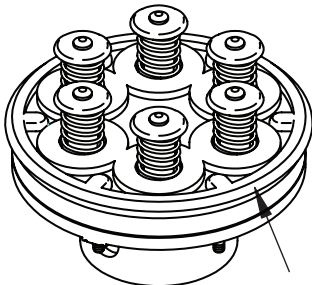
PH6 Panther Pump Kits

PH6M-01
MOTOR ASSEMBLY FOR THE PH6 PUMP

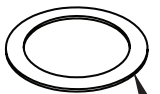


PHP KIT-01

CARTRIDGE KIT FOR PH6 PUMP
WITH EPDM BOTTOM GASKET
AND O-RING



SS6P-D
(W/EPDM
O-RING
SS6P-21)



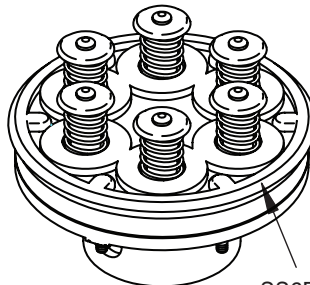
LF-03EPDM

PHP KIT-01V

VITON BOTTOM GASKET AND O-RING

PHP KIT-01E

CARTRIDGE KIT FOR PH6 PUMP
WITH ELECTROPOLISHED VALVES



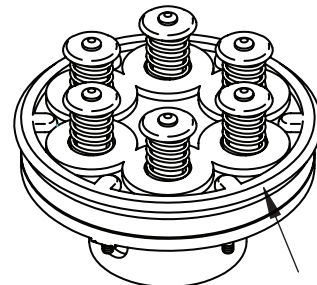
SS6P-GR
(W/VITON
O-RING
SS6P-21V)



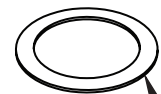
PH-43

PHP KIT-01EPOXY

SEVERE DUTY PUMP CARTRIDGE KIT
FOR PH6 PUMP WITH EPOXY VALVES

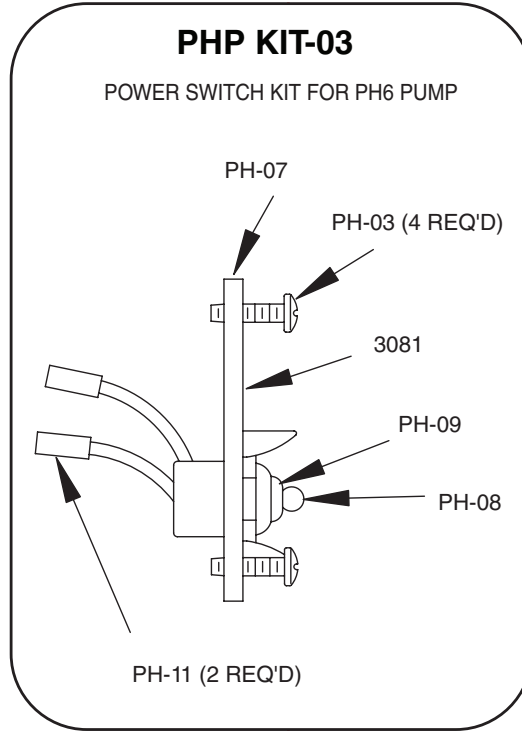
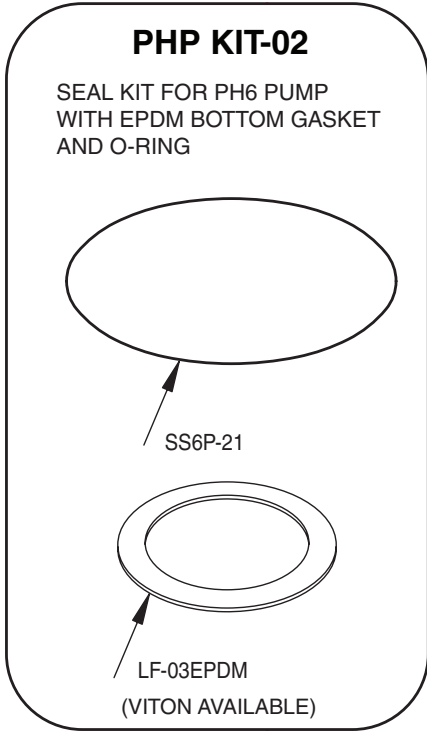


SS6P-E
(W/VITON
O-RING
SS6P-21V)



LF-03EPDM

PH6 Panther Pump Kits





SEM-10 and SEM-10FT ***Fixed Mounting and Flow Through*** ***Electronic Flow Meters***

SEM-10 and SEM-10FT

Fixed Mounting and Flow Through Electronic Flow Meters



SEM-10 Fixed Mounting Flow Meter



Accurate Metering Made Simple

The Scienco SEM-10 and SEM-10FT electronic flow meters employ positive displacement nutating disk technology to meter liquids of various viscosities with great accuracy and nominal pressure loss. With the largest LCD display available on the market, large positive touch buttons and simple one-touch operation, the SEM-10 and SEM-10FT flow meters are easy to read and to use.

The SEM-10 meter mounts directly to the pump discharge via a 25 mm (1 in) rear port. The flow through configuration of the SEM-10FT enables the meter to be mounted at hose end.

Applications

- Agriculture
- Chemical transfer
- Non-flammable liquids
- Light oils
- Inks
- Automotive fluids

Operating Parameters

- Flows from 0.5 to 6.8 m³/h (2 to 30 gpm)
- Temperatures to 55°C (130°F)
- Pressures to 4 bar (60 psi)
- Accuracy to +/- 0.5%
- Totals to 999 999

Features and Benefits

Fixed Mounting or Flow Through Configurations provide application flexibility

Positive Displacement Nutating Disk Design meters liquids of various viscosities with great accuracy and minimal pressure loss

Simple, One-touch Operation with large, positive touch buttons

LCD Display measures 20 mm (0.75 in) and is the largest on the market

Choice of Three Calibration Modes to suit application needs

Extended Battery Life is provided by one 3-volt lithium battery

Auto Shut-off after 40 seconds of inactivity saves battery life. Auto wake-up occurs when pumping resumes

Materials of Construction

Component	Material
Meter Housing	Nylon®; Polypropylene optional
Meter Chamber	Polyphenylene sulfide (PPS) and stainless steel
O-rings	Viton® (EPDM optional)
Electronics Body	Nylon
Screws	Stainless steel

Note: Ensure chemical compatibility between liquid metered and the meter's wetted parts prior to use.

© Nylon and Viton are registered trademarks of the DuPont Company.



SEM-10FT Flow Through Flow Meter with Ball Valve and Spout

Bulletin PSS-90-20.9e (E) Printed in USA. October 2008.
© Flowserve Corporation

To find your local Flowserve representative:

For more information about Flowserve Corporation, visit www.flowserve.com or call USA 1 800 728 PUMP (7867)

USA and Canada

Flowserve Corporation
5215 North O'Connor Blvd.
Suite 2300
Irving, Texas 75039-5421 USA
Telephone: 1 937 890 5839

Flowserve Corporation

Scienco Pumps
5599 E. Holmes Road
Memphis, Tennessee 38118 USA
Telephone: 1 800 343 7867
Telefax: 1 901 259 3946

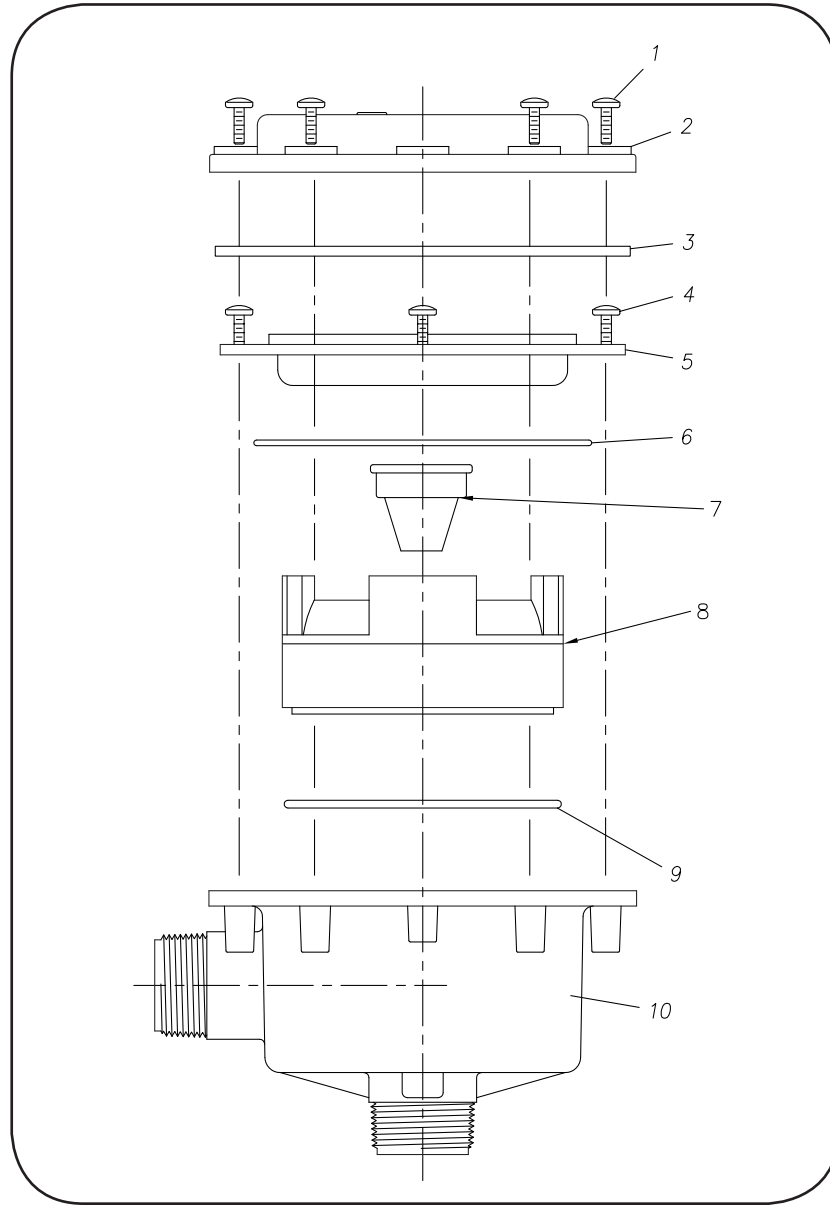
Europe, Middle East, Africa

Flowserve Corporation
Gebouw Hagepoint
Westbroek 39-51
4822 ZX Breda
Netherlands
Telephone: (31) 76 502 8920

Latin America

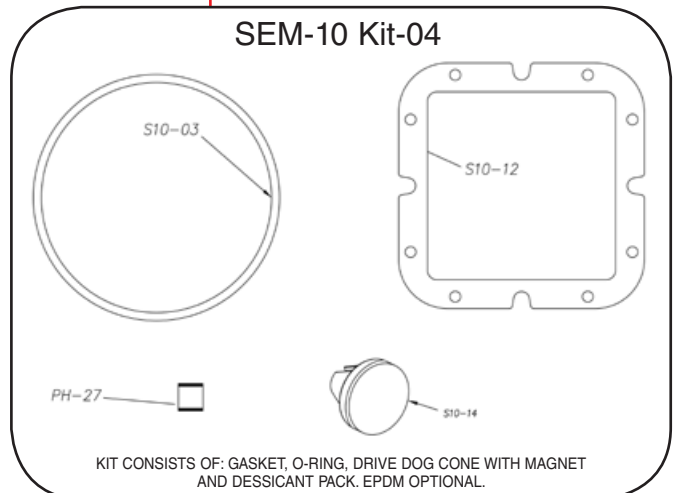
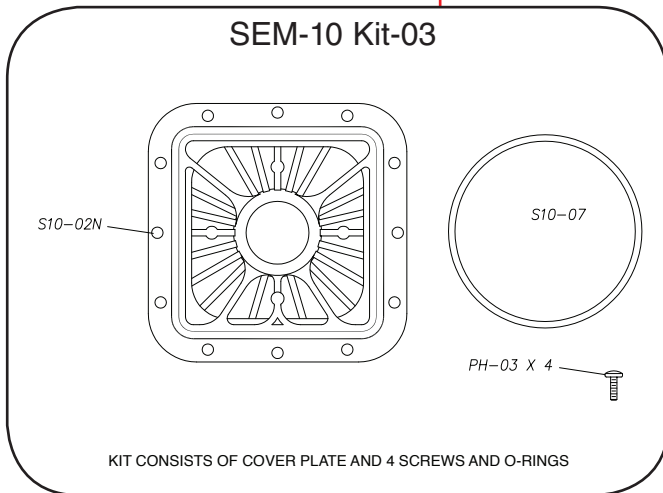
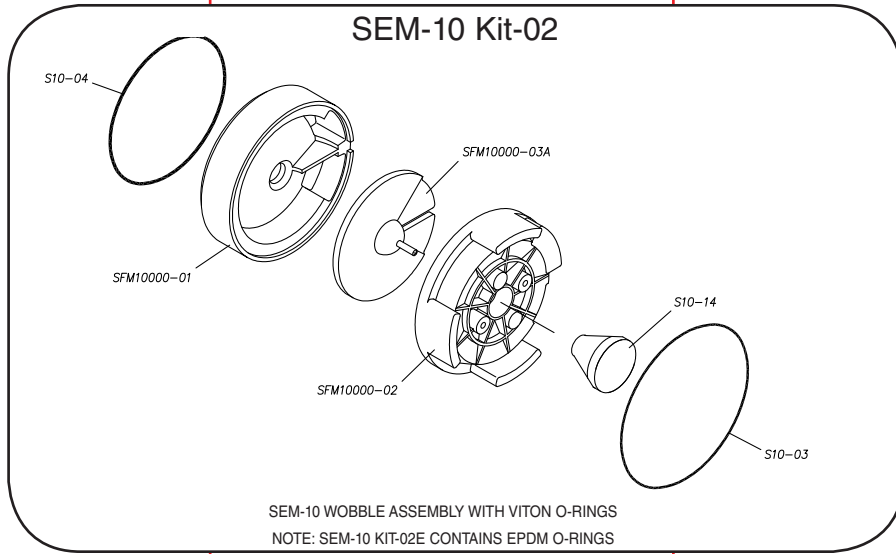
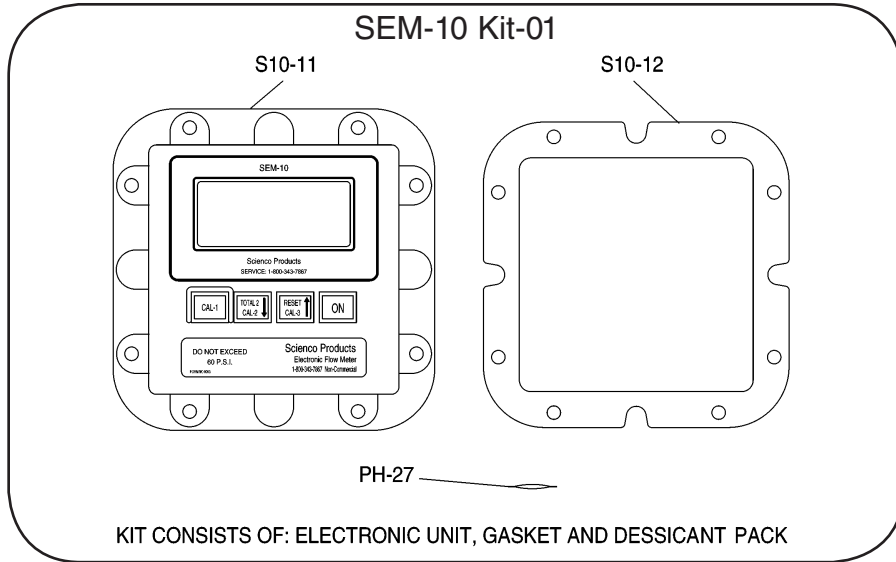
Flowserve Corporation
Boulevard del Cafetal
Edificio Ninina, Local 7
El Cafetal - Caracas
Venezuela 1061
Telephone: 58 212 985 3092
Telefax: 58 212 985 1007

SEM-10 Parts List

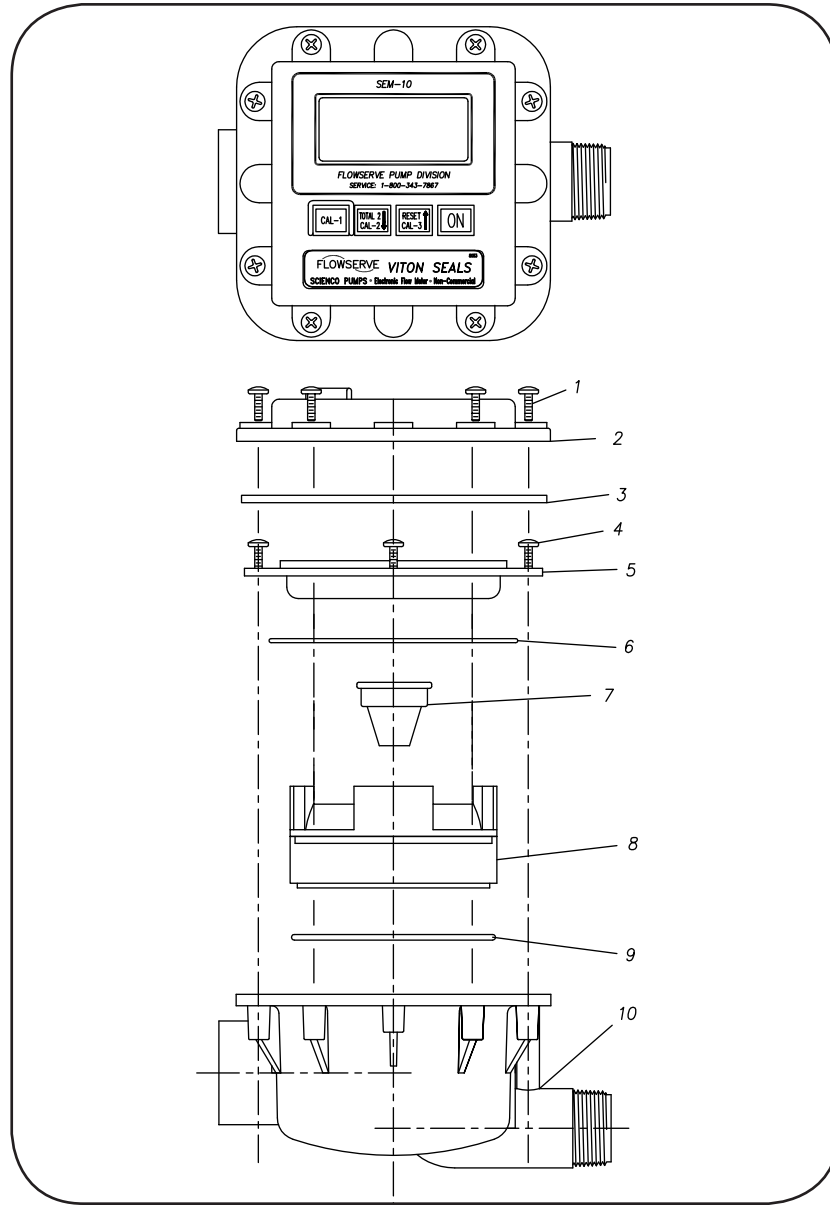


ITEM	PART	QTY	DESCRIPTION	AVAILABLE AS
1	PH-13	8	#10 X 1" PHIL.SS HI-LO SCREW	Part
2	S10-11	1	POLYPROPYLENE ELECTRONICS	SEM-10 Kit-01
3	S10-12	1	GASKET, 1/16", EPDM	SEM-10 Kit-01
4	PH-03	4	#10 X 5/8" PHIL.SS HI-LO SCREW	SEM-10 Kit-03
5	S10-02N	1	NYLON MOLDED COVER PLATE	SEM-10 Kit-03
6	S10-03	1	94.4 X 3.1 METRIC/VITON O-RING	SEM-10 Kit-04
7	S10-14	1	DRIVE DOG CONE W/MAGNET	SEM-10 Kit-02, SEM-10 Kit-04
8	SFM10000-01,02,03	1	WOBBLE PLATE COMPONENTS	SEM-10 Kit-02
9	S10-04	1	#152 VITON O-RING	SEM-10 Kit-02
10	S10-05N	1	NYLON MOLDED FLUID CAN	Part

SEM-10 Meter Kits

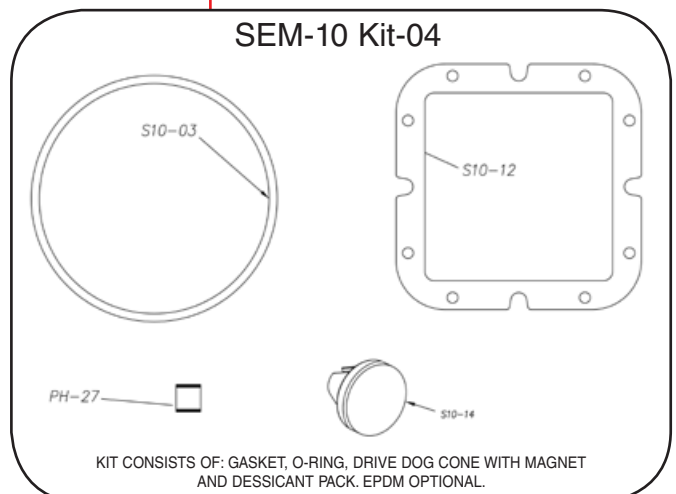
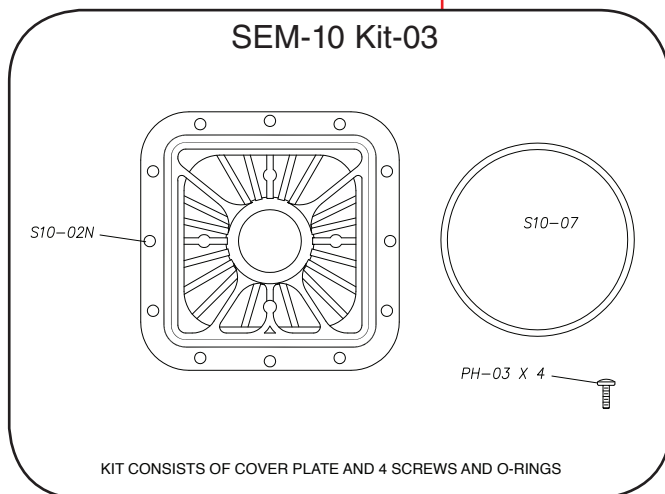
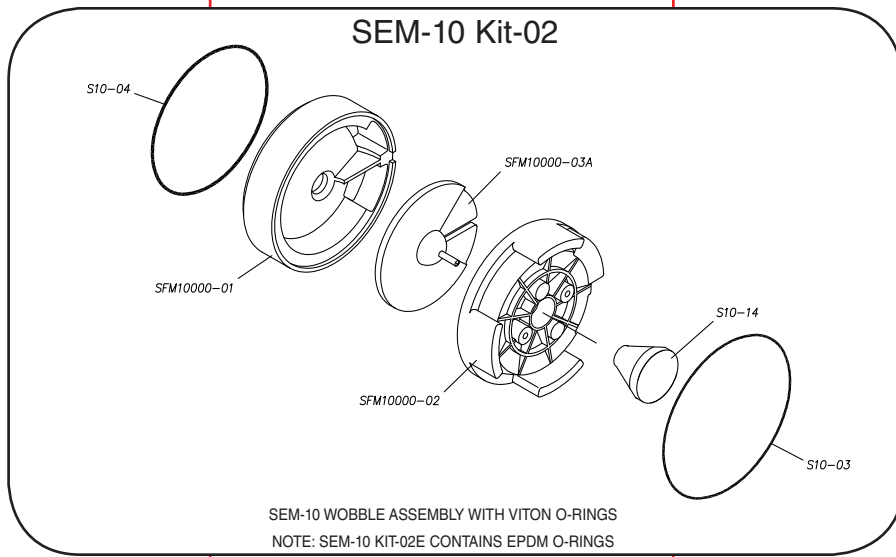
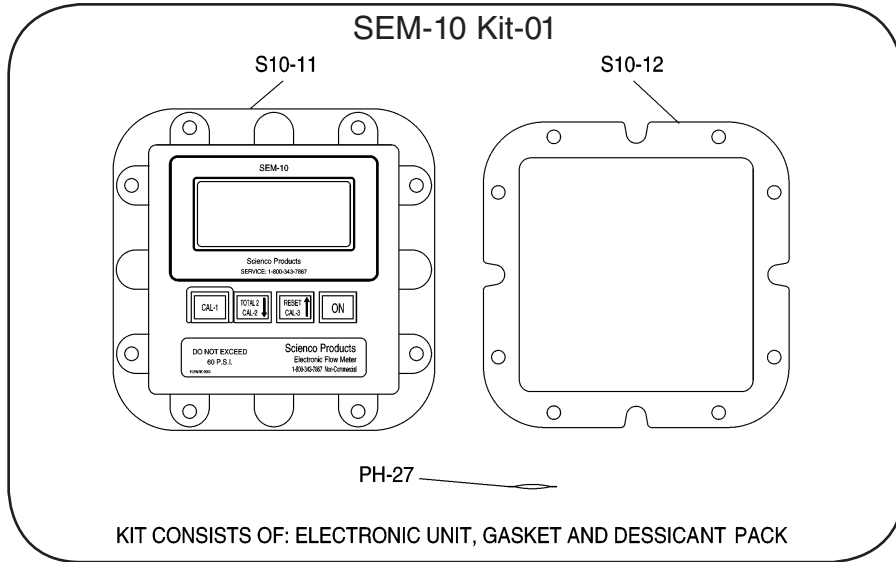


SEM-10FT Parts List



ITEM	PART	QTY	DESCRIPTION	AVAILABLE AS
1	PH-13	8	#10 X 1" PHIL.SS HI-LO SCREW	Part
2	S10-11	1	POLYPROPYLENE ELECTRONICS	SEM-10 Kit-01
3	S10-12	1	GASKET, 1/16", EPDM	SEM-10 Kit-01
4	PH-03	4	#10 X 5/8" PHIL.SS HI-LO SCREW	SEM-10 Kit-03
5	S10-02N	1	NYLON MOLDED COVER PLATE	SEM-10 Kit-03
6	S10-03	1	94.4 X 3.1 METRIC/VITON O-RING	SEM-10 Kit-04
7	S10-14	1	DRIVE DOG CONE W/MAGNET	SEM-10 Kit-02, SEM-10 Kit-04
8	SFM10000-01,02,03	1	WOBBLE PLATE COMPONENTS	SEM-10 Kit-02
9	S10-04	1	#152 VITON O-RING	SEM-10 Kit-02
10	S10-10	1	NYLON MOLDED FLUID CAN	Part

SEM-10FT Meter Kits





SEM-10SS

Stainless Steel Electronic Flow Meter

SEM-10SS

Stainless Steel Electronic Flow Meter



Accurate, Reliable Metering

The Scienco SEM-10SS stainless steel electronic flow meter employs positive displacement nutating disk technology to meter liquids of various viscosities with great accuracy and nominal pressure loss. With the largest LCD display available on the market, large positive touch buttons and simple one-touch operation, the SEM-10SS flow meter is easy to read and to use. Its stainless steel and plastic construction provides increased resistance to corrosion. This multiple use non-commercial meter mounts directly to the pump discharge via a one-inch stainless steel rear port and may be used with many pesticides, chemicals and petroleum products.

Applications

- Agriculture
- Chemical transfer
- Non-flammable liquids
- Light oils
- Inks
- Automotive fluids

Operating Parameters

- Flows from 0.5 to 6.8 m³/h (2 to 30 gpm)
- Pressures to 6.9 bar (100 psi)
- Temperatures to 85°C (185°F)
- Accuracy to +/- 0.5%
- Totals to 999 999

Features and Benefits

Stainless Steel Housing is durable and corrosion resistant

Positive Displacement Nutating Disk Design meters liquids of various viscosities with great accuracy and minimal pressure loss

Simple, One-touch Operation with large, positive touch buttons

LCD Display measures 20 mm (0.75 in) and is the largest on the market

Choice of Three Calibration Modes to suit application needs

25 mm (1 in) Rear Mounting Port allows meter to be mounted directly to the pump discharge. Side port measures 25 mm (1 in)

Extended Battery Life is provided by one 3-volt lithium battery

Auto Shut-off after 40 seconds of inactivity saves battery life. Auto wake-up occurs once pumping resumes

Materials of Construction

Component	Material
Meter Housing	Stainless steel
Meter Chamber	Polyphenylene sulfide (PPS) and stainless steel
O-rings	Viton® (EPDM optional)
Electronics Body	Nylon®
Screws	Stainless steel

Note: Ensure chemical compatibility between liquid metered and the meter's wetted parts prior to use.

® Viton and Nylon are registered trademarks of the DuPont Company.



Bulletin PSS-90-20.14b (E) Printed in USA. August 2008.
© Flowserve Corporation

To find your local Flowserve representative:

For more information about Flowserve Corporation, visit www.flowserve.com or call USA 1 800 728 PUMP (7867)

USA and Canada

Flowserve Corporation
5215 North O'Connor Blvd.
Suite 2300
Irving, Texas 75039-5421 USA
Telephone: 1 937 890 5839

Flowserve Corporation

Scienco Pumps
5599 E. Holmes Road
Memphis, Tennessee 38118 USA
Telephone: 1 800 343 7867
Telefax: 1 901 259 3946

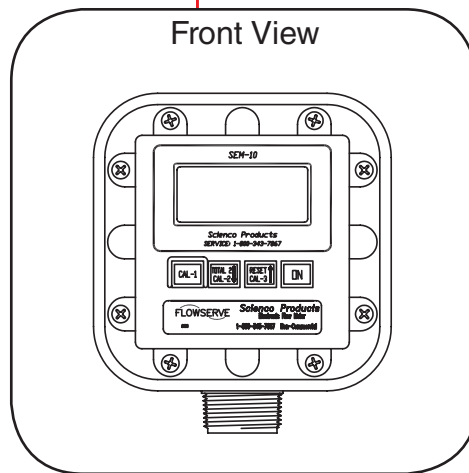
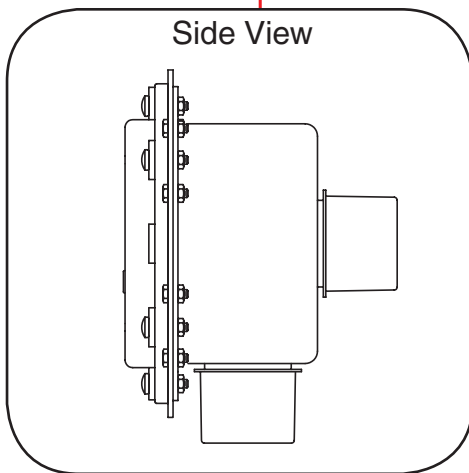
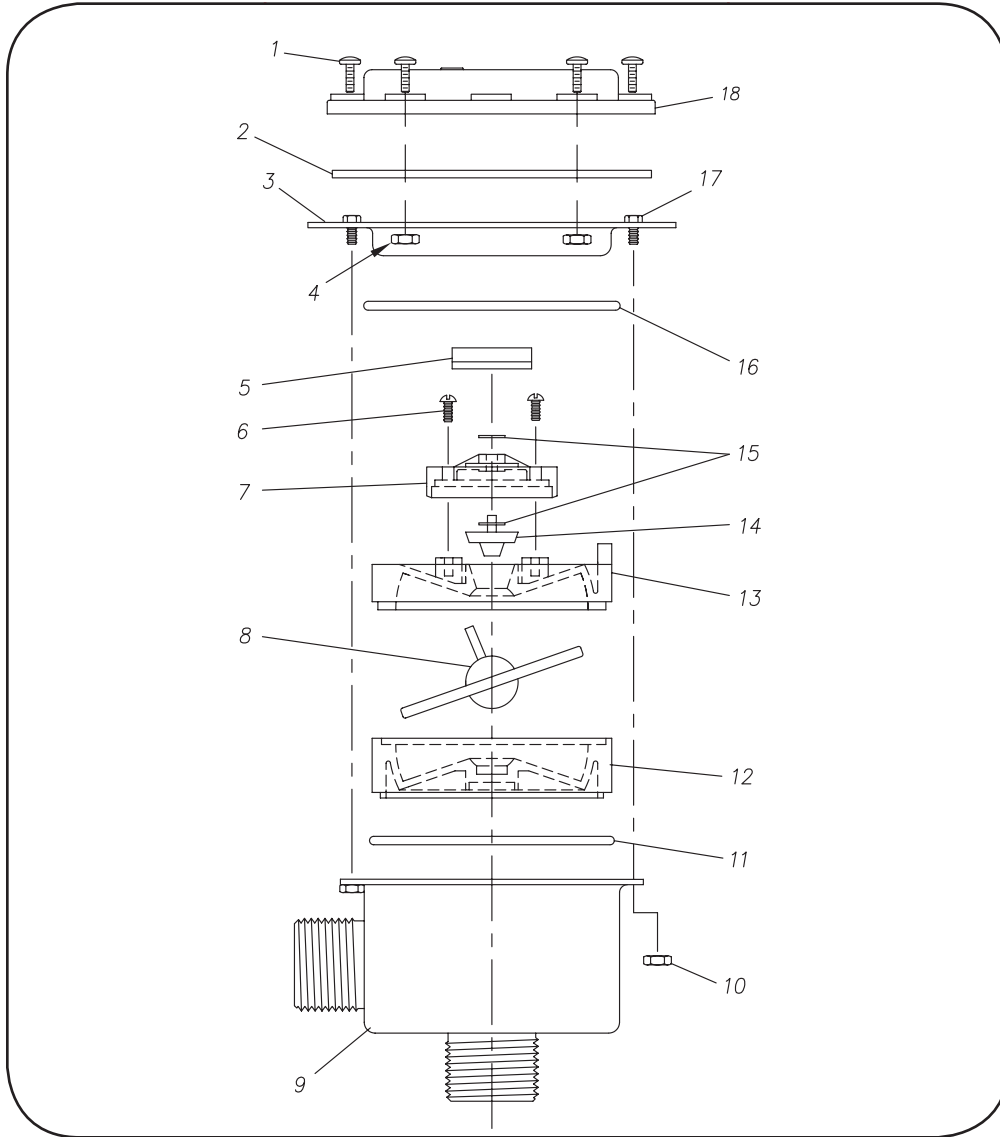
Europe, Middle East, Africa

Flowserve Corporation
Gebouw Hagepoint
Westbroek 39-51
4822 ZX Breda
Netherlands
Telephone: (31) 76 502 8920

Latin America

Flowserve Corporation
Boulevard del Cafetal
Edificio Ninina, Local 7
El Cafetal - Caracas
Venezuela 1061
Telephone: 58 212 985 3092
Telefax: 58 212 985 1007

SEM-10SS Parts List



SEM-10SS Parts List

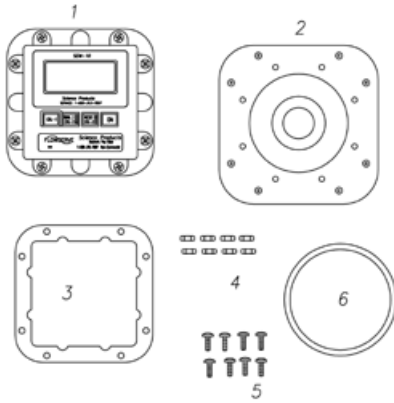
ITEM NUMBER	PART NUMBER	QTY	DESCRIPTION	AVAILABLE AS
1	DD6P-46A	8	Screw	SEM-10SS Kit
2	S10-06SS	1	.125 Thick Gasket	SEM-10SS Kit
3	SFM10000-14A	1	Stamped Cover Plate	SEM-10SS Conv Kit
4	NUT-02	8	Nut	SEM-10SS Kit
5	SFM10000-10B	1	Magnet Holder	SEM-20 Kit
6	SFM10000-06	2	Screw	SEM-20 Kit
7	SFM10000-05	1	Mounting Bracket	SEM-20 Kit
8	SFM10000-03A	1	Wobble Plate Assy	SEM-20 Kit
9	SFM10000-13A	1	Can Assy	Part
10	SFM10000-20	8	Nut	Part
11	SFM10000-17	1	Viton O-Ring	SEM-20 Kit
12	SFM10000-01	1	Bottom Wobble Housing	SEM-20 Kit
13	SFM10000-02	1	Top Wobble Housing	SEM-20 Kit
14	SFM10000-08	1	Drive Dog Assembly	SEM-20 Kit
15	SFM10000-07	1	Washer	SEM-20 Kit
16	SFM10000-18	1	Viton O-Ring	SEM-20 Kit
17	SFM10000-19	8	Hex Head Screw	Part
18	S10-11POTTED	1	Potted Electronics	SEM-10SS Kit



SEM-30 Meter Kits

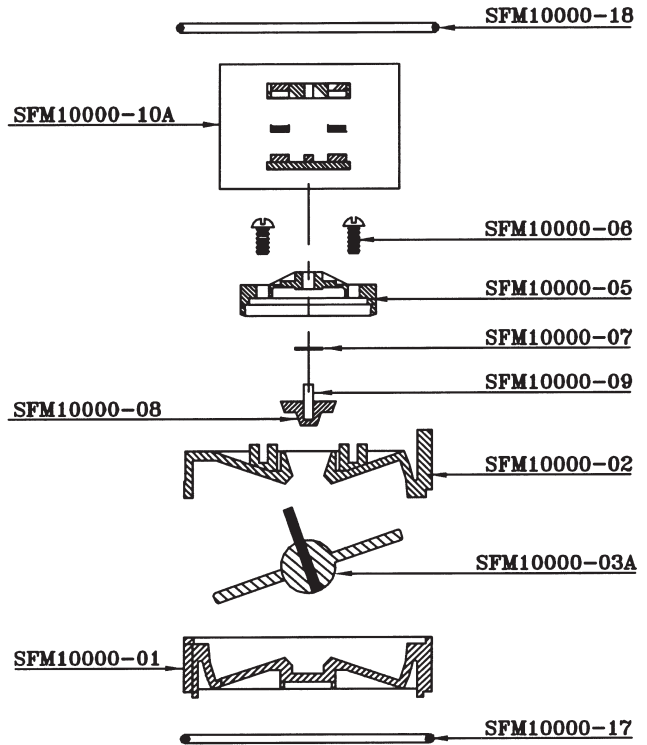
SEM-30 Meter Kits

SEM-10SS CONVERSION KIT



- SEM-10SS CONVERSION
CONSISTS OF:
- 1- POTTED ELECTRONICS ASSY
 - 2- FORMED STAINLESS COVER
 - 3- GASKET
 - 4- 8 EACH 10-24 SS LOCK NUT
 - 5- 8 EACH 10-24*3/4 SS SCREW
 - 6- VITON ORING

SEM-20 KIT REPAIR KIT FOR SEM-30 METER



KIT INCLUDES:
MOUNTING BRACKET, MAGNET HOLDER ASSY., MOUNTING SCREWS, WASHER, DRIVE DOG ASSY., DRIVE DOG PIN, TOP & BOTTOM WOBBLE HOUSING, WOBBLE PLATE ASSY., O-RINGS, & OWNERS MANUAL.

Accessories

Accessories (Other couplers available upon request)



CLM-01
Male Clean-Lock, pump portion with 90° discharge elbow and 360° swivel. A Clean Aid rinse out device with extra O-rings is included with each male Clean-Lock.



CLF-07
Polypropylene female Clean-Lock, container portion with 2 in (50 mm) buttress threads and EPDM tank gasket. Includes an O-ring on the built-in check valve preventing any air leaks or tank cross contamination.



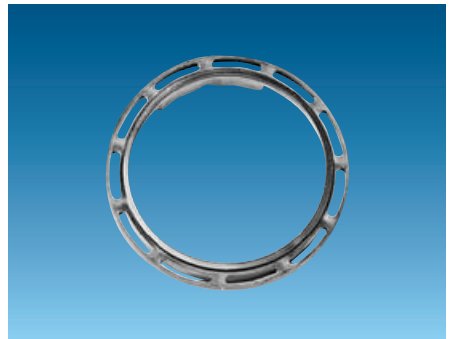
CLF-08
Polypropylene female Clean-Lock, container portion with 2 in (50 mm) NPS threads and EPDM tank gasket. Includes an O-ring on the built-in check valve preventing any air leaks or tank cross contamination.



CA ASSY
Clean Aid assembly for male Clean-Lock. A one-way valve is built into each Clean Aid to prevent back flow into clean, uncontaminated rinse water. Note: Clean Aid should not be used as tank coupler.



CL 24 ASSEMBLY
Shipping cap.



TR-100
Tamper evident ring.



PH-25
PH-25B
Includes buttress threads. Bung adapter.
(Gasket P/N CL-29 not included)



HFA-01
DD6 replacement adapter plate to 2 in (50 mm) NPS.
HFA-02
DD6 replacement adapter plate to 2 in (50 mm) buttress.



SPA700G
Tank gasket for adapter plates. For use with PH6 or DD6 pumps.

Accessories



SPA 700N
SPAN adapter plate – no recirculation adapter.



SPA 700RA
SPAN adapter plate – auto recirculation adapter.



SPA 700R
SPAN adapter plate – manual recirculation adapter.



SPAN
Cap to adapt PH6 and DD6 pumps to 190.5 mm (7.5 in) tank openings.



MC
Light duty clutch.

MC/ACE
MC with ACE adapter.

MC/HYPRO
MC with HYPRO adapter.

MC/MELROE
MC with MELROE adapter.

Light Duty
12 volt magnetic clutch for air compressors, agricultural spray pumps, centrifugal pumps and more. Transmits up to 10 hp at 4,000 rpm. Draws two amps. Power controlled by a toggle switch (not included). Type “A” belt used on 5 in (127 mm) pulley, fits a 5/8 in (16 mm) straight shaft.

MCH2
Heavy duty clutch.

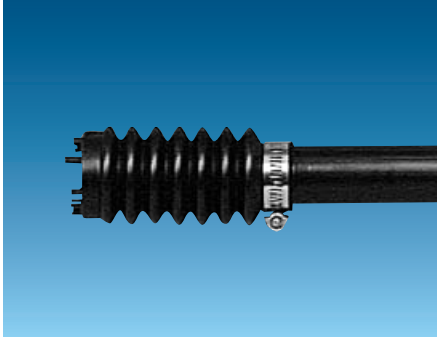
MCH2-CW
Heavy duty clutch-clockwise rotation.

MCH2/MELROE
Heavy duty clutch with weather clips.

MCH2-8740B
Magni-Clutch for hypro 8740B P.

Heavy Duty
12 volt heavy duty magnetic clutch for Hypro centrifugal pumps. Transmits up to 23 hp at 4,000 rpm. Draws two amps. Type “A” belt used on 5 in (127 mm) pulley, and fits a 5/8 in (16 mm) straight shaft.

Accessories



B-01 ASSY
Molded Foot Assembly.



Xtube-V
Includes Viton O-rings.
Xtube-E
Includes EPDM O-rings.

Adjustable polypropylene dip tubes.

- Adjusts from 67.3 cm to 120.7 cm (26.5 in to 47.5 in)
- Hose clamp connection
- Rubber hose
- Clamps



Xtube-TV
Includes Viton O-ring.
Xtube-TE
Includes EPDM O-ring.

Threaded adjustable polypropylene dip tube.

- Adjusts from 67.3 cm to 120.7 cm (26.5 in to 47.5 in)
- 25 mm (1 in) male pipe threads



Vent-00
Tamper evident 2 in (50 mm) buttress vent with EPDM tank gasket, Viton® O-rings and plastic rivets for tamper evident seal.
Vent-01
Tamper evident 2 in (50 mm) NPS vent with EPDM tank gasket, Viton O-rings and plastic rivets for tamper evident seal.



KD-04
Static polypropylene dip tubes available in various lengths to fit most drum applications. Includes EPDM flex connector and two stainless steel hose clamps. To ensure proper fit, customer should specify dip tube length and/or container size and manufacturer when ordering.



BTUBE-## (EPDM or Viton)
Bellows dip tube. Bellows foot for adjustment into tank. Includes EPDM or Viton (customer specifies) flex connector and two stainless steel hose clamps. To ensure proper fit, customer should specify dip tube length and/or container size and manufacturer when ordering.